

AIRWAY SEAL

APPLICATIONS

- Aviation containers
- Medical devices
- Cash terminal boxes
- Aviation Cathering

MATERIAL

- Polypropylene Copolymer

FEATURES

- Code mark
- Self-locking
- Large laser marking space Logo
- Unique series and barcode
- Cut/tear unsealing

MARKINGS

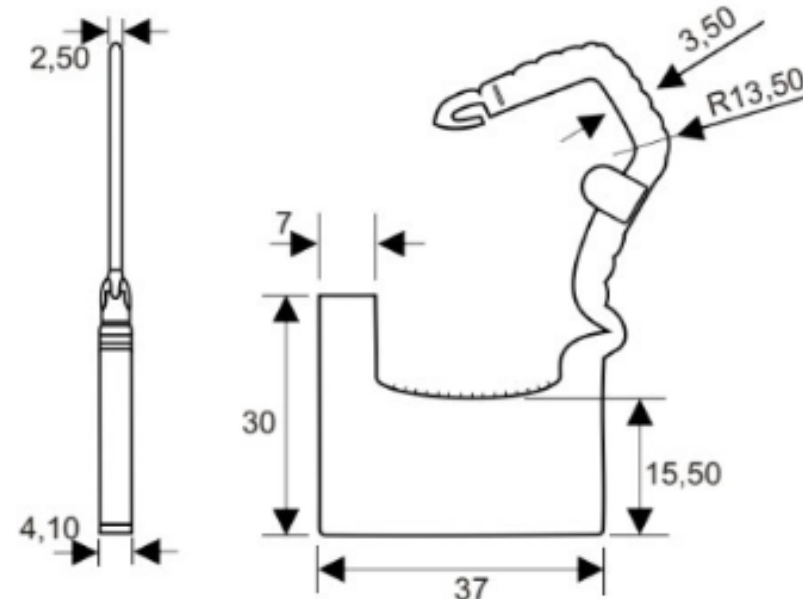
- Laser Marking:
- Logo • Text • Series • Barcode

COLORS

- White • Yellow • Red • Blue

PACKAGING

- 1000 pieces/box
- Dimensions: 240 x 480 x 140 mm
- Weight: 2 Kg



Nairobi | Kenya

Mobile: +254 713 782 746 | +40 756 400 900
office@nidoholding.co.ke www.nidoholding.co.ke