

# BOXSEAL



## APPLICATIONS

- Document transport boxes
- Valuables transport boxes
- Post and courier

## MATERIAL

- Polypropylene

## FEATURES

- Self-locking
- Unsealable by cutting/tearing

## MARKINGS

Laser Marking:

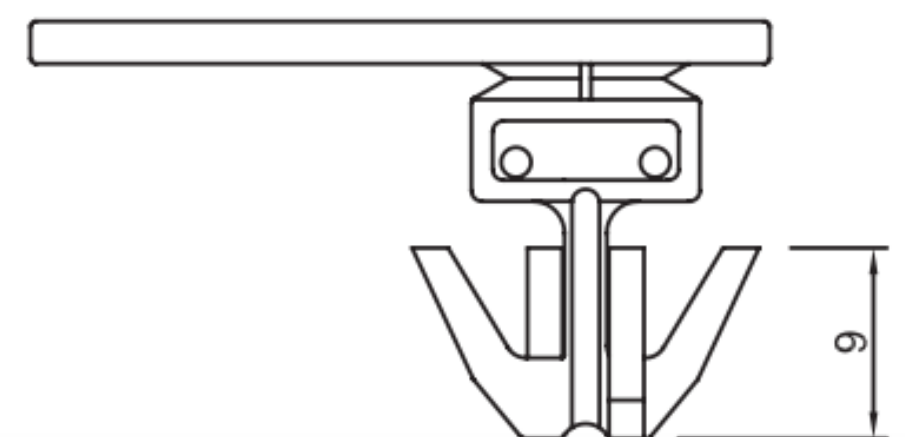
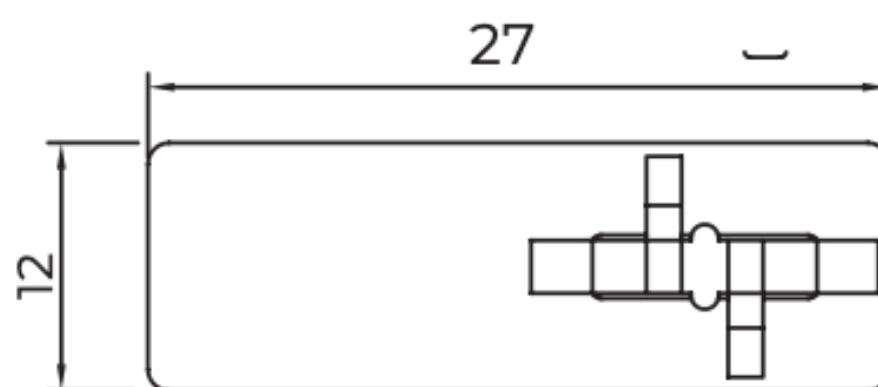
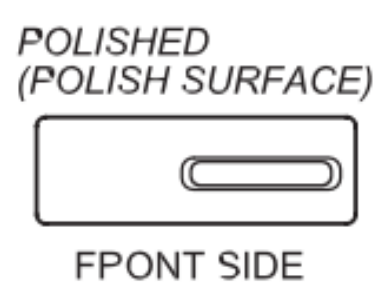
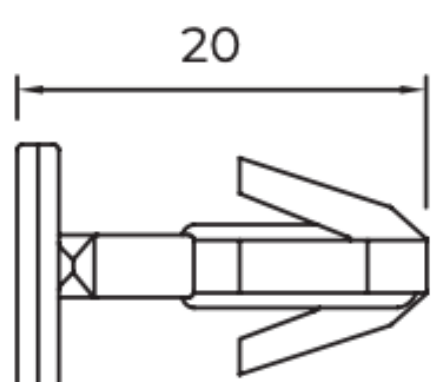
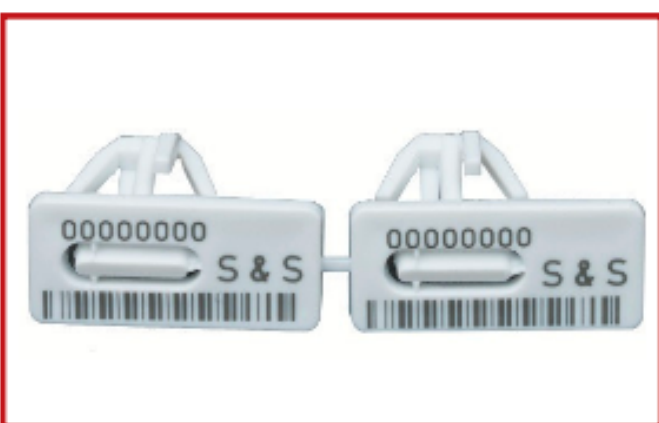
- Logo • Text • Series • Barcode

## COLORS

- White
- Other colors upon request

## PACKAGING

- 500 pieces/box
- Weight: 0,6 Kg



Nairobi | Kenya

Mobile: +254 713 782 746 | +40 756 400 900

office@nidoholding.co.ke www.nidoholding.co.ke