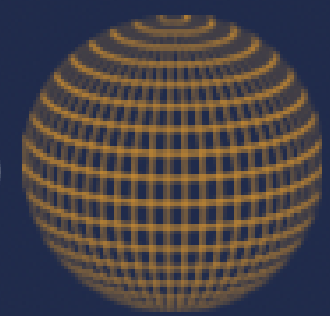


NID



EXPERIENCE TO BE TRUSTED

CATALOGUE 2024

+254 713 782 746



office@nidoholding.co.ke



www.nidoholding.co.ke



Nairobi, Kenya



TABLE OF CONTENTS

ABOUT US

OUR PRODUCTS

METAL SECURITY SEALS

PLASTIC SECURITY SEALS

MULTIPURPOSE SECURITY SEALS

SECURE LABELS, ENVELOPES, AND
BANKING SECURITY SOLUTIONS

ABOUT US

Nido Holding Limited is the branch for Africa exports of Aldo Security Romania, founded in 1997.

At Aldo Security, our team of security experts pioneering the assurance of shipment security worldwide. From small yet critically important envelopes to heavy-duty cargo in maritime containers, we've set the standard for secure sealing solutions.

We are personally committed to crafting solutions that match your security demands. We provide a personalized range of solutions to address your unique security requirements, and our prompt delivery solutions are designed with your convenience in mind, ensuring your security needs are met swiftly and efficiently.



At Nido, our global capacity empowers us to serve your security needs wherever you are in Africa. Your security knows no boundaries with us.

- Cutting-edge laser engraving technology
- Stock delivery of over 7 million seals
- Secure automated production
- Team of experts with over 25 years of experience
- A large variety of products to meet your needs

With efficient processes in place, we ensure the smooth and prompt delivery of your chosen security seals, guaranteeing your peace of mind from start to finish.

Trust us for a comprehensive and efficient approach to meeting your security seal requirements!



METAL SECURITY SEALS



ALDLOCK + HS048 ISO 17712



APPLICATIONS

- Container
- Trucks
- Wagons
- Enclosures
- Tankers

MATERIAL

- Zamak body
- Galvanized steel cable: 3,5 mm

FEATURES

- C-TPAT, UK Custom group 2
- ISO 17712 - compliant
- Self-locking
- Removal tools used
- Cable length 300mm standard
- Other cable sizes on request

MARKINGS

Laser Marking:

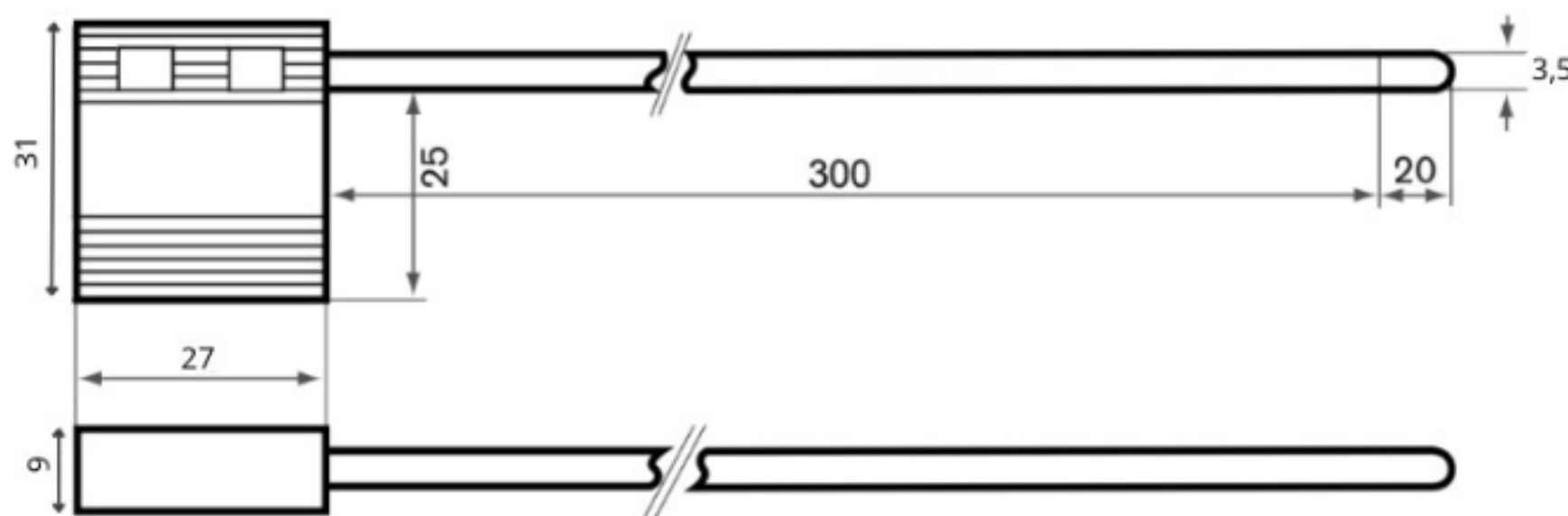
- Logo • Barcode • Series • Text

COLORS

- Blue
- Red

PACKAGING

- 500 pieces/cutie
- Dimensions: 260 x 175 x 160 mm
- Weight: 8 Kg



Nairobi | Kenya

Mobile: +254 713 782 746 | +40 756 400 900
office@nidoholding.co.ke www.nidoholding.co.ke

ALDLOCK DUO



APPLICATIONS

- Containers
- Enclosures
- Trucks
- Tankers
- Wagons
- Grain barges

MATERIAL

- Aluminum body
- Galvanized steel cable 1.8 mm
- Dual zamak locking system

FEATURES

- Self-locking
- Removal tools are used
- Cable length 500 mm standard
- 2 locking systems

MARKINGS

Laser marking:

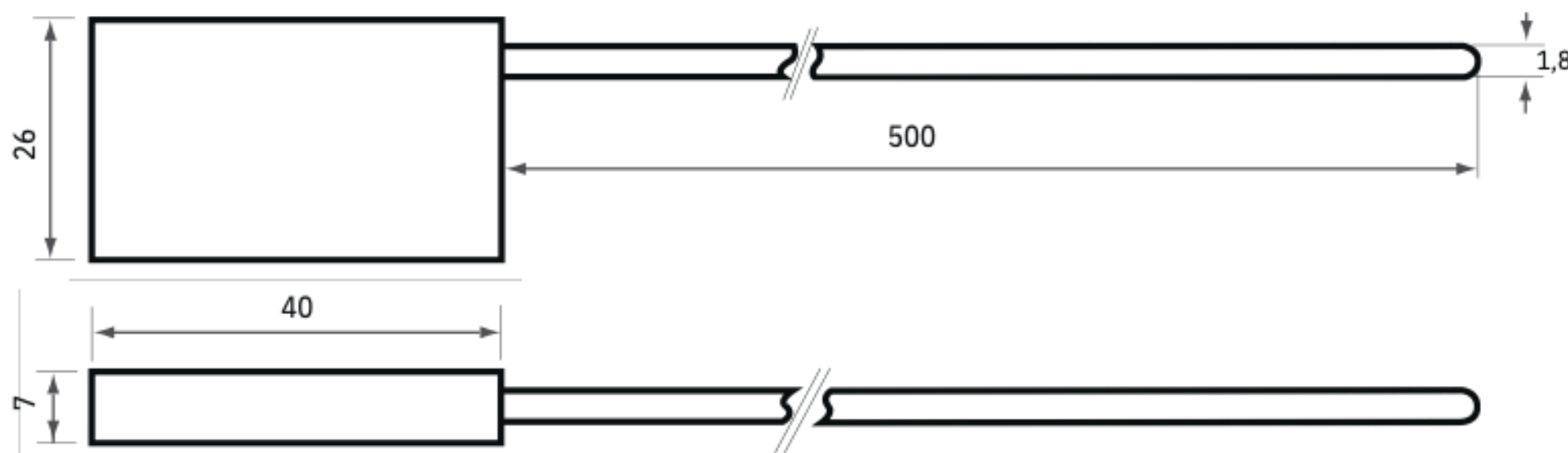
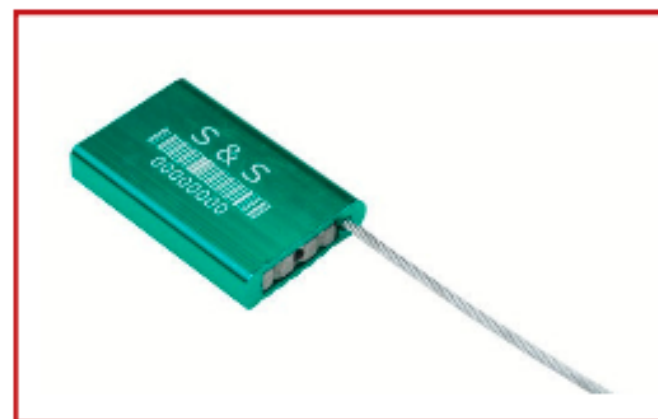
- Logo
- Text
- Series
- Barcode

COLORS

- Blue
- Red
- Black
- Green

PACKAGING

- 500 pieces/box
- Dimensions: 370 x 300 x 125 mm
- Weight: 12,5 Kg



Nairobi | Kenya

Mobile: +254 713 782 746 | +40 756 400 900
office@nidoholding.co.ke www.nidoholding.co.ke

ALDLOCK MINI



APPLICATIONS

- Containers
- Enclosures
- Trucks
- Water Tanks
- Wagons
- Grain barges

MATERIAL

- Aluminium body
- 1.6 mm steel cable
- Zamak locking system

FEATURES

- Self-locking
- Removal tools are used
- Cable length 500 mm standard

MARKINGS

Laser Marking:

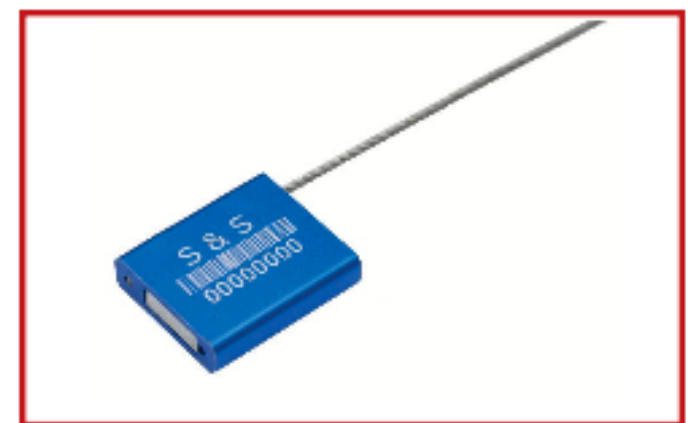
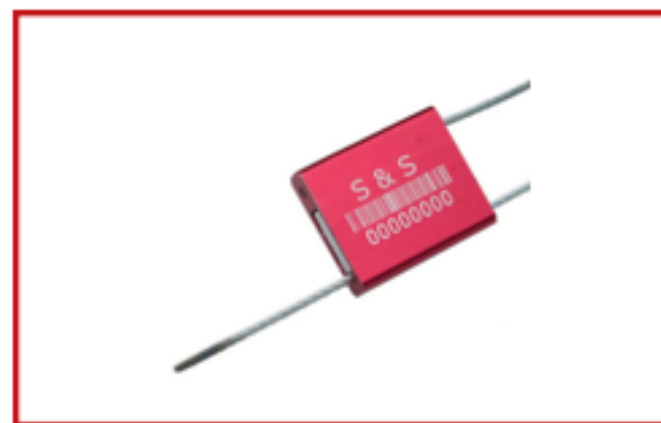
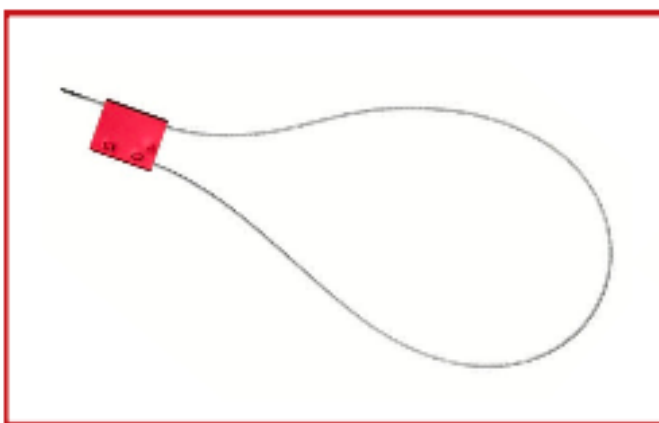
- Logo • Text • Series • Barcode

COLORS

- Blue
- Red

PACKAGING

- 500 pieces/box
- Dimensions: 260 x 175 x 160 mm
- Weight: 8 Kg



Nairobi | Kenya

Mobile: +254 713 782 746 | +40 756 400 900

office@nidoholding.co.ke www.nidoholding.co.ke

ALDLOCK P



APPLICATIONS

- Containers
- Enclosures
- Trucks
- Tankers
- Wagons
- Grain barges

MATERIAL

- ABS body
- Zamak locking system
- 1.6 mm galvanized steel cable
- Unique locking system

FEATURES

- Self-locking
- Removal tools are used
- Cable length 500mm standard or 290mm

MARKINGS

Laser Marking:

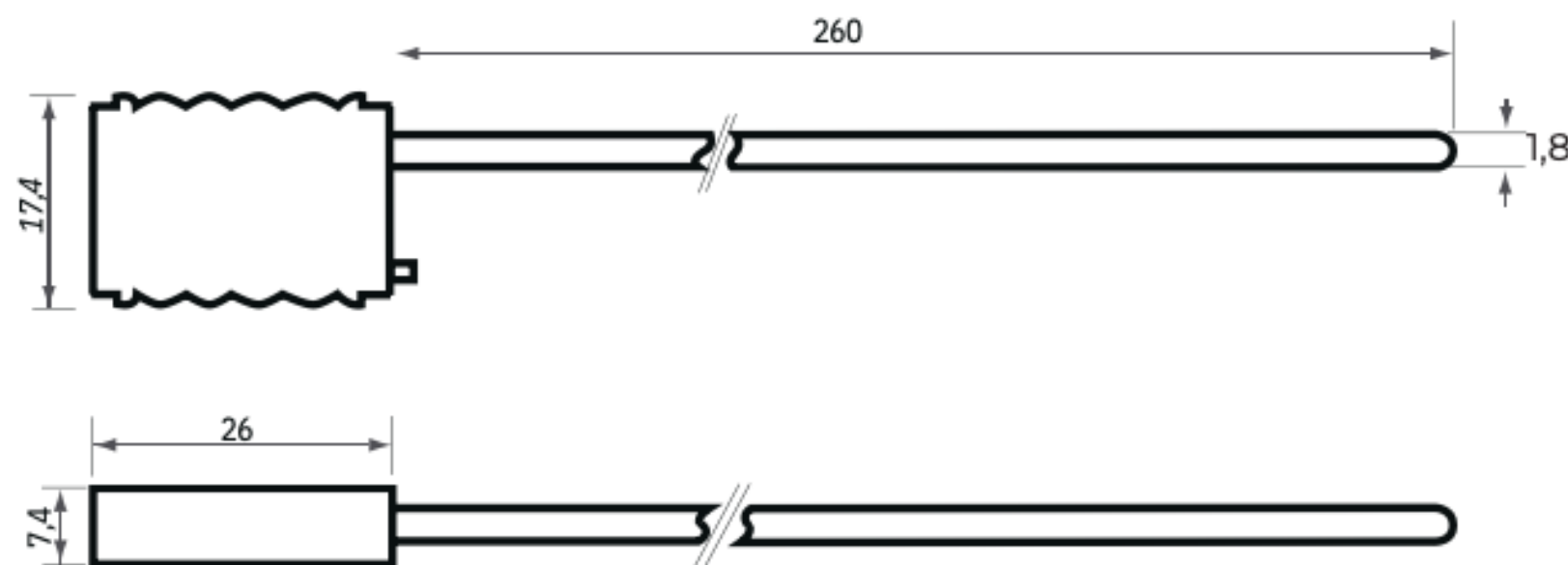
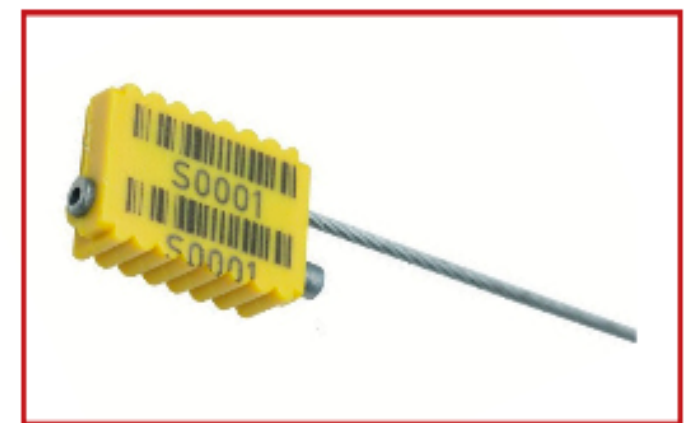
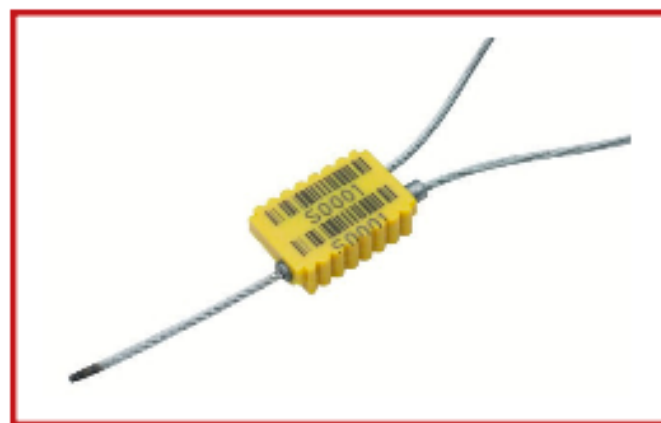
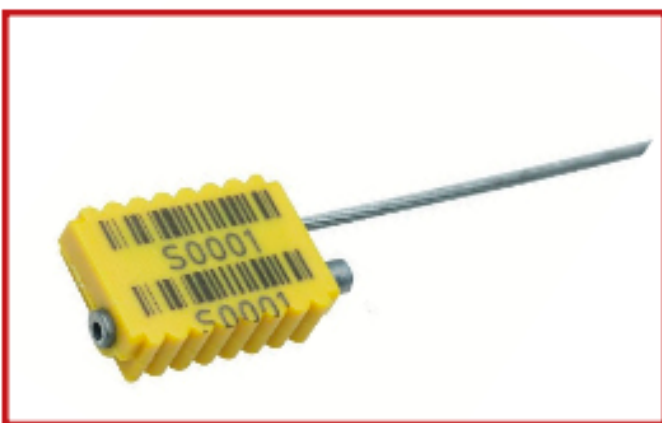
- Logo • Text • Series • Barcode

COLORS

- White
- Yellow

PACKAGING

- 1 000 pieces / box
- Dimensions: 380 x 240 x 195 mm
- Weight: 16,5 Kg



Nairobi | Kenya

Mobile: +254 713 782 746 | +40 756 400 900
office@nidoholding.co.ke www.nidoholding.co.ke

BALON SEAL



APPLICATIONS

- Containers
- Enclosures
- Trucks
- Tankers
- Wagons

MATERIAL

- Coastal band
- Steel locking rings

FEATURES

- ISO/PAS 17712 - security seal
- Locking system by two independent steel rings
- Removal tools are used
- Visible tail shows that the seal has been applied correctly
- Width: 9,5 mm ; Length: 215 mm

MARKINGS

Embossing Marking:

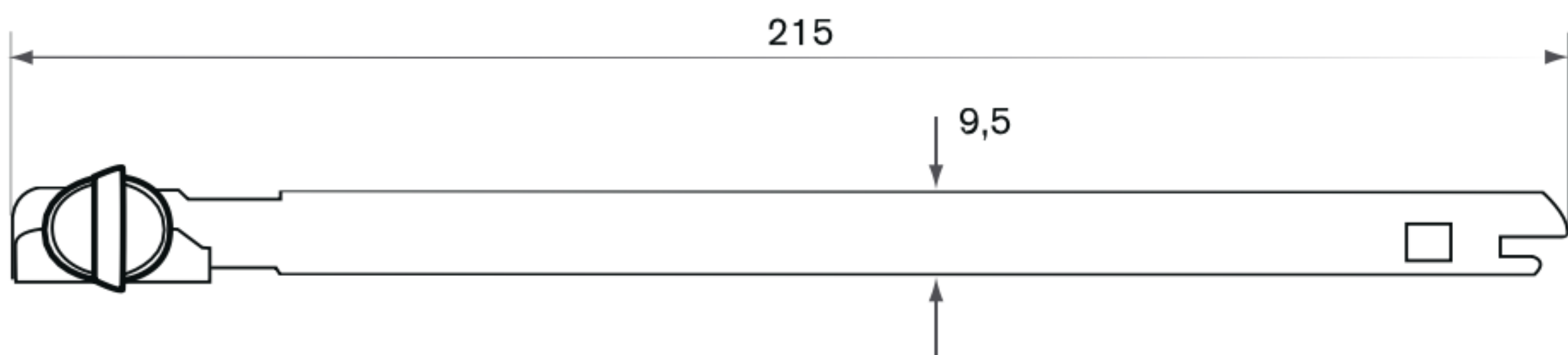
- Text • Series

COLORS

- Metal

PACKAGING

- 1 000 pieces/box
- Dimensions: 400 x 350 x 170 mm
- Weight: 7,2 Kg



Nairobi | Kenya

Mobile: +254 713 782 746 | +40 756 400 900
office@nidoholding.co.ke www.nidoholding.co.ke

NID 
EXPERIENCE TO BE TRUSTED

BOLTSEAL



APPLICATIONS

- Containers
- Enclosures
- Trucks
- Marine Transport

MATERIAL

- Carbon Steel
- ABS
- Polypropylene

FEATURES

- ISO/PAS 17712
- Diameter: ABS rod 10,5 mm x steel rod 7mm
- Breaking strength: 15.5 KN
- Anti-rotation
- Cutting tools used
- Easy to close (no tools required)

MARKINGS

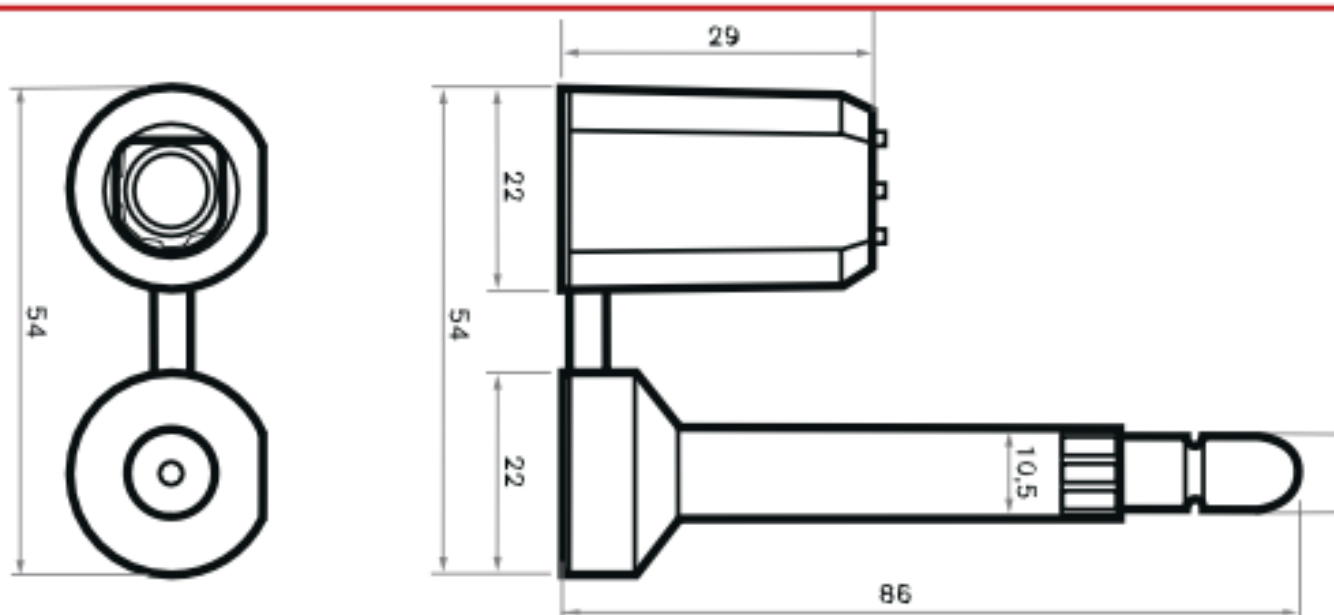
- Laser marking:
- Logo • Text • Series (up to 8 digits)
 - Barcode available on request

COLORS

- White
- Blue
- Yellow
- Orange

PACKAGING

- 200 pieces/box
- Dimensions: 420 x 220 x 230 mm
- Weight: 12,5 Kg



Nairobi | Kenya

Mobile: +254 713 782 746 | +40 756 400 900
office@nidoholding.co.ke www.nidoholding.co.ke

NID 
EXPERIENCE TO BE TRUSTED

CLIPSEAL



APPLICATIONS

- Evidence
- Enclosures
- Vessels
- Tanks

MATERIAL

- Coastal Band

FEATURES

- Self-locking
- Used in conjunction with string or thin sealing wire

MARKINGS

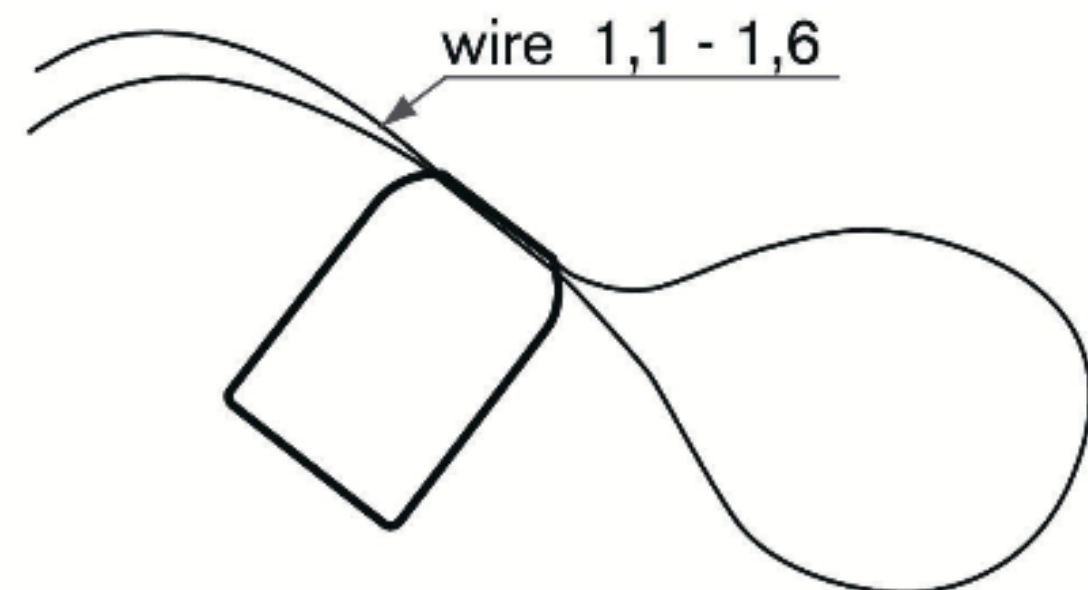
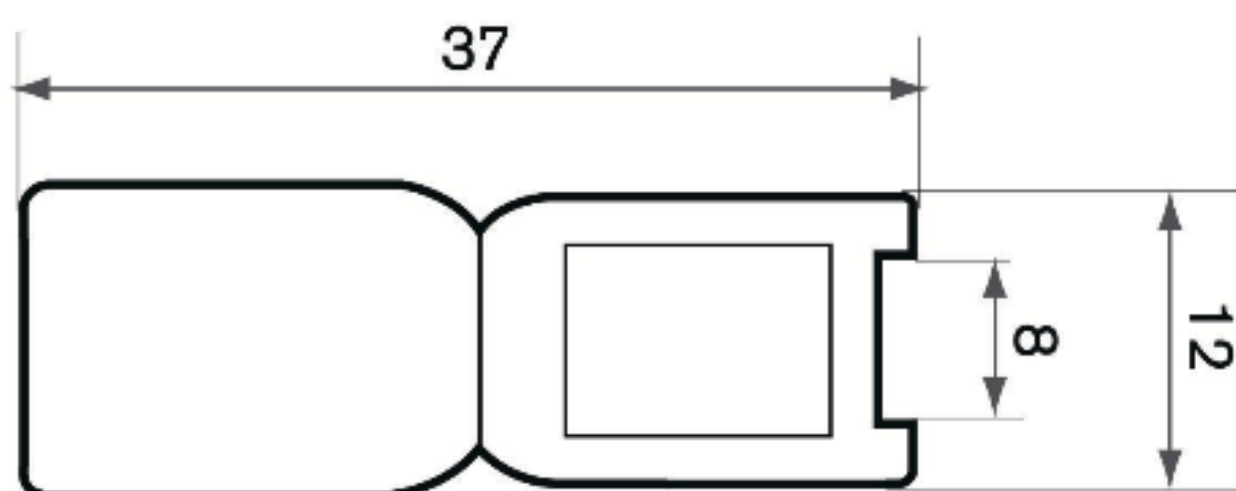
- Standard marking
- Optional 3-character personalization

COLORS

- Metal

PACKAGING

- 1000 pieces/box
- OR
- 200 pieces/ box



Nairobi | Kenya

Mobile: +254 713 782 746 | +40 756 400 900
office@nidoholding.co.ke www.nidoholding.co.ke

GUARDLOCK



APPLICATIONS

- Container
- Enclosures
- Trucks
- Tankers
- Wagons
- Tankers

MATERIAL

- Coastal band

FEATURES

- Community Transit
- Monoblock construction
- The seal will break by repeated bending in the area of the check holes or by cutting

MARKINGS

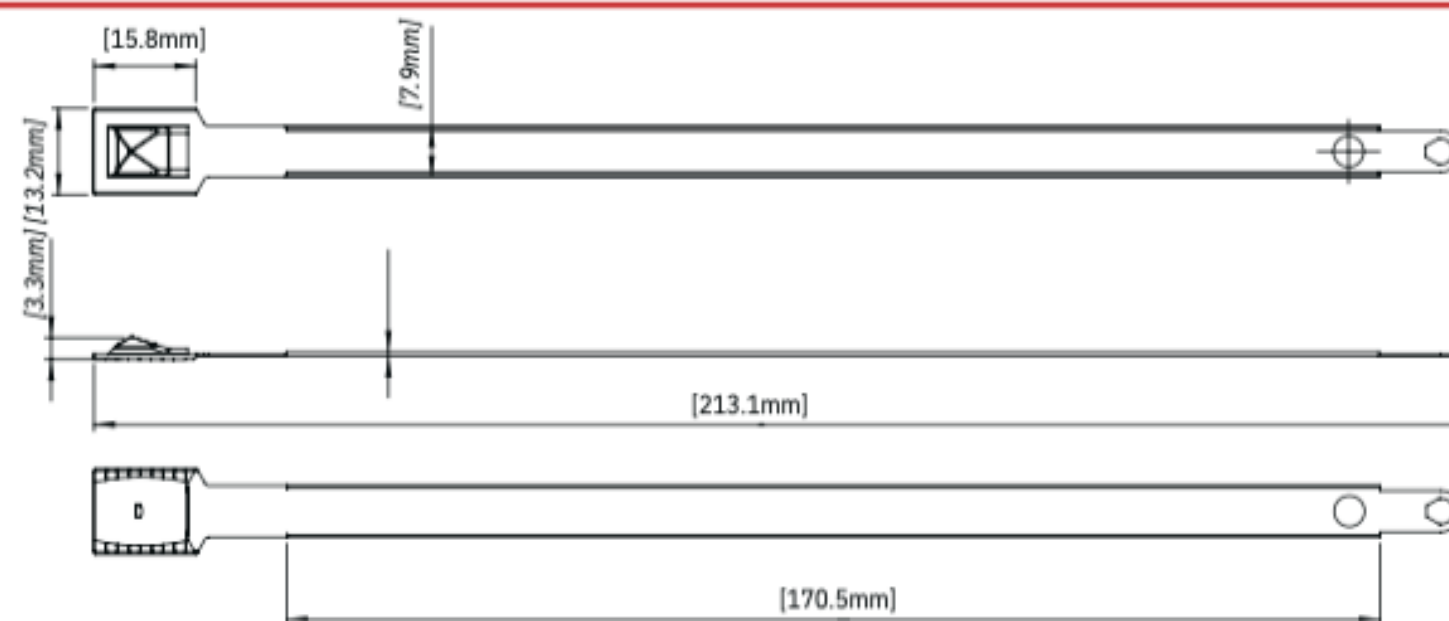
- Text
- Series

COLORS

- Metal

PACKAGING

- 3 000 pieces/box
- Dimensions: 400 x 340 x 130 mm
- Weight: 14,6 Kg



Nairobi | Kenya

Mobile: +254 713 782 746 | +40 756 400 900

office@nidoholding.co.ke www.nidoholding.co.ke

TITANSEAL



APPLICATIONS

- Containers
- Enclosures
- Trucks
- Tankers
- Wagons

MATERIAL

- ABS body
- Flexible galvanised steel cable
- Zamak locking system

FEATURES

- ISO PAS 17712 - high-security seal
- Self-locking
- Removal tools are used
- Cable length 500mm standard
- The protective body is made of ABS shockproof material
- Flexible galvanised cable with 5,2 mm diameter and standard length of 500 mm
- Breaking strength of the cable: 20 kN
- Dimensions: 37x46x28 mm
- Weight at standard cable length: 140 gr
- The locking mechanism excludes the possibility of the cable moving backwards when finishing the installation

MARKINGS

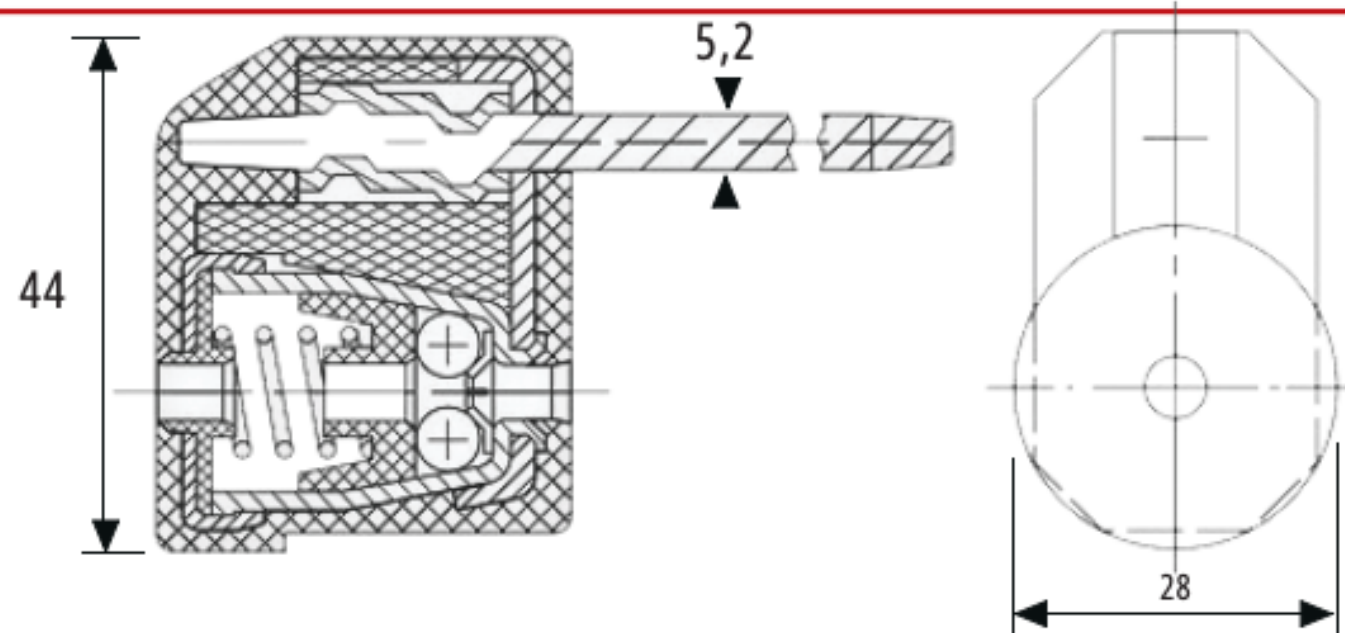
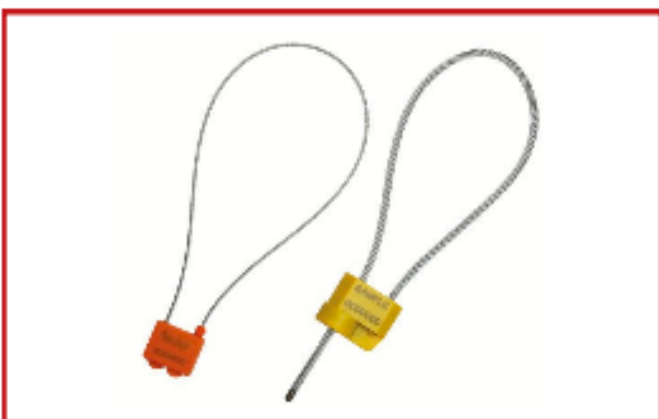
Available surface for marking - 24x27 mm:
• Barcode • Logo • Text • Series

COLORS

- Blue • Yellow • Orange

PACKAGING

- 50 pieces/box
- Dimensions: 290 x 200 x 190 mm
- Weight: 7,2 Kg



Nairobi | Kenya

Mobile: +254 713 782 746 | +40 756 400 900
office@nidoholding.co.ke www.nidoholding.co.ke

NID 
EXPERIENCE TO BE TRUSTED

TSC2



APPLICATIONS

- Containers
- Enclosures
- Trucks
- Tankers
- Wagons

MATERIAL

- 100% steel body, polished
- Low carbon galvanized steel bolt

FEATURES

- Dimensions: Length: 35mm; Thickness: 2,5mm
- Different locking holes, to accommodate the differences in spacing between the door tubes
- Breaking strength: over 3 tonnes

MARKINGS

Laser Marking:

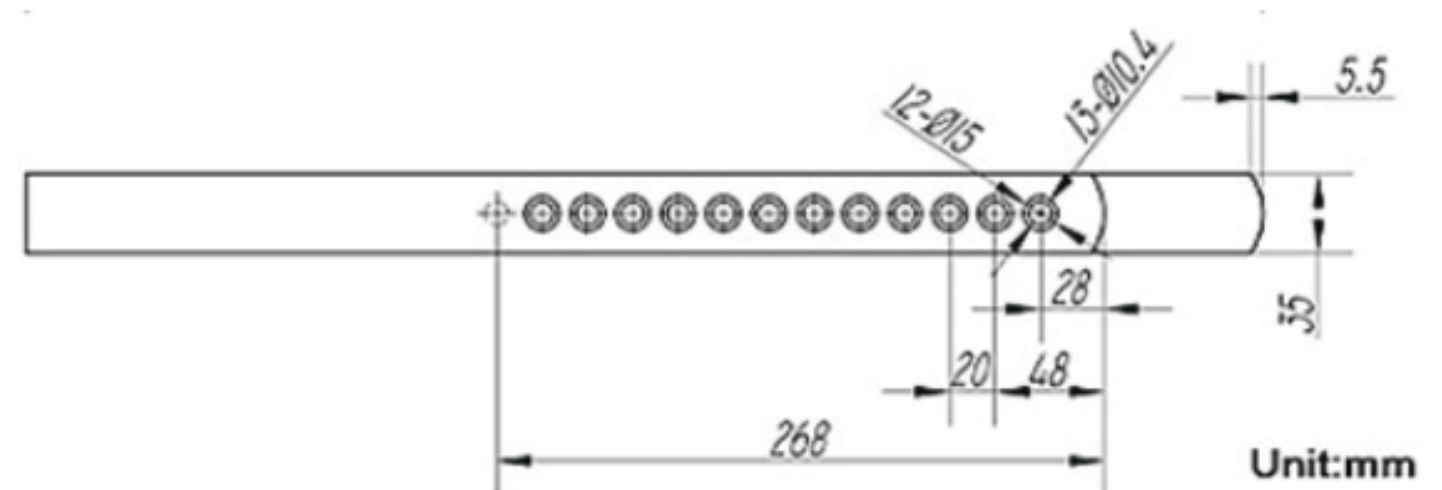
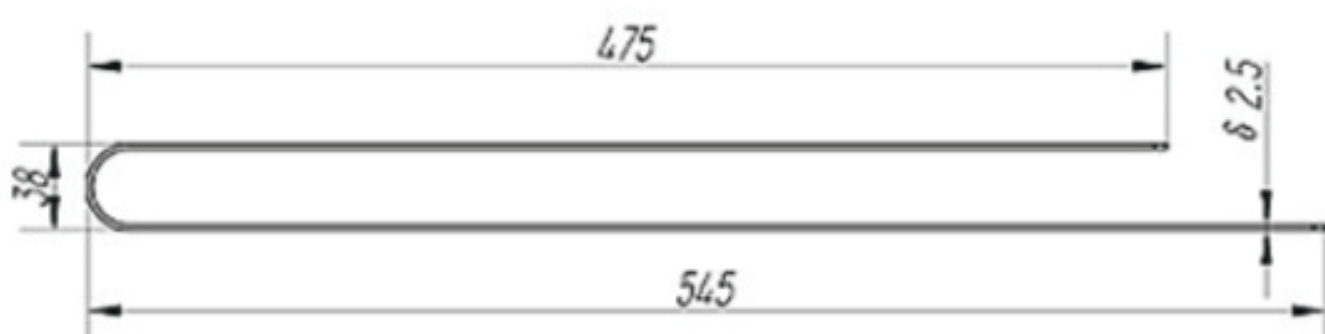
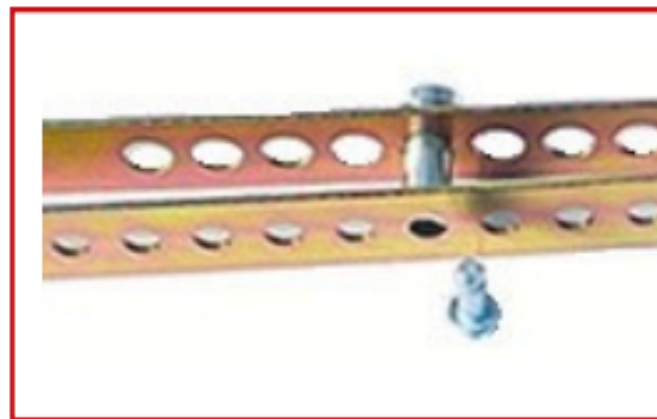
- Logo • Text • Series

COLORS

- Metal

PACKAGING

- 10 pieces/box
- Dimensions: 565 x 480 x 55 mm
- Weight: 19,5 Kg



Nairobi | Kenya

Mobile: +254 713 782 746 | +40 756 400 900
office@nidoholding.co.ke www.nidoholding.co.ke

NID 
EXPERIENCE TO BE TRUSTED

PLASTIC SECURITY SEALS



AIRWAY SEAL

APPLICATIONS

- Aviation containers
- Medical devices
- Cash terminal boxes
- Aviation Cathering

MATERIAL

- Polypropylene Copolymer

FEATURES

- Code mark
- Self-locking
- Large laser marking space Logo
- Unique series and barcode
- Cut/tear unsealing

MARKINGS

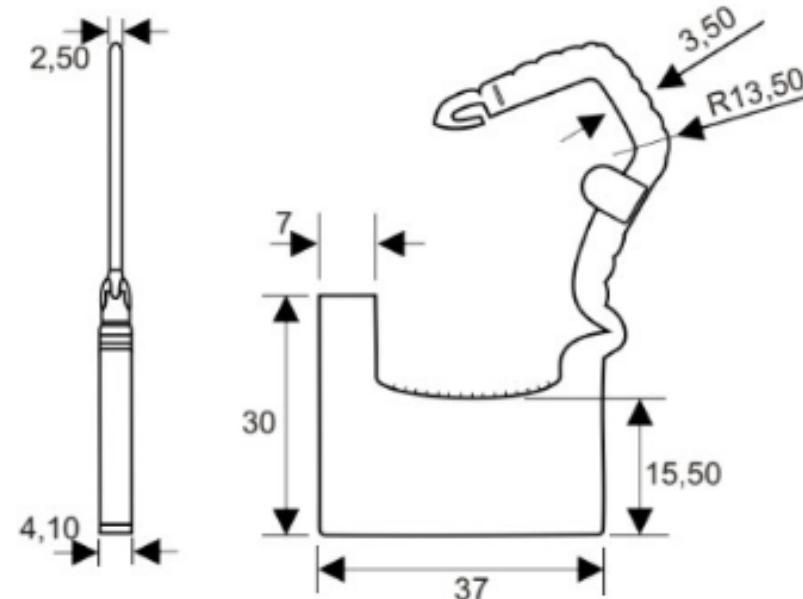
- Laser Marking:
- Logo • Text • Series • Barcode

COLORS

- White • Yellow • Red • Blue

PACKAGING

- 1000 pieces/box
- Dimensions: 240 x 480 x 140 mm
- Weight: 2 Kg



Nairobi | Kenya

Mobile: +254 713 782 746 | +40 756 400 900
office@nidoholding.co.ke www.nidoholding.co.ke

ALPHA SEAL



APPLICATIONS

- Tankers
- Trucks
- Air and cash transport
- Post and courier
- Wagons

MATERIAL

- Polypropylene
- Acetal locking system

FEATURES

- Code mark
- Self-locking
- Large marking area
- 2 materials of construction for resistance to thermal violation
- Adjustable lock (wide type)

MARKINGS

Laser Marking or Thermal:

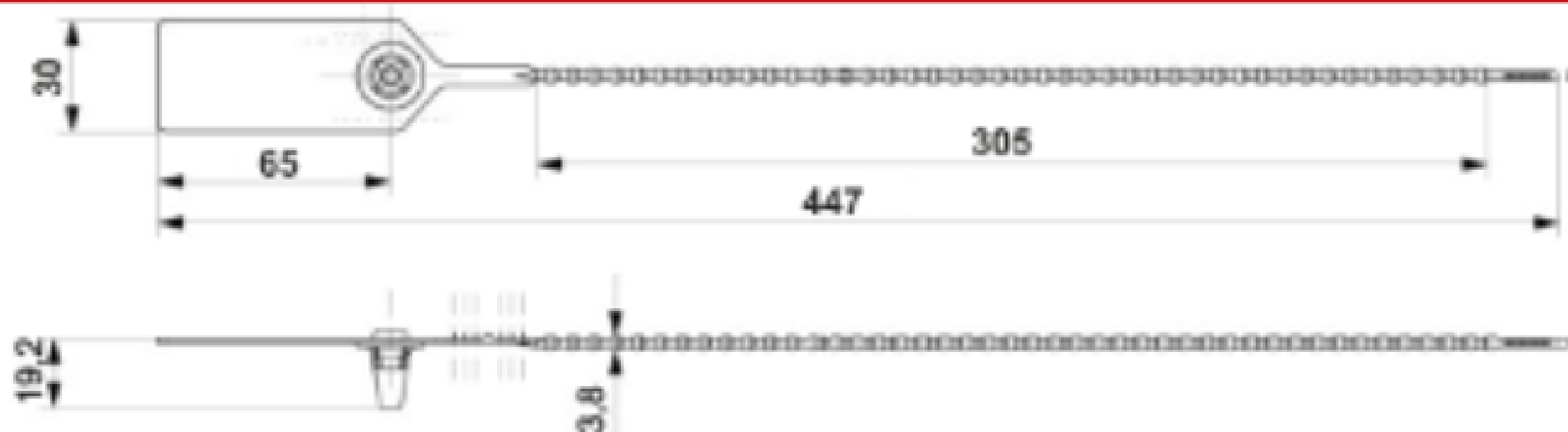
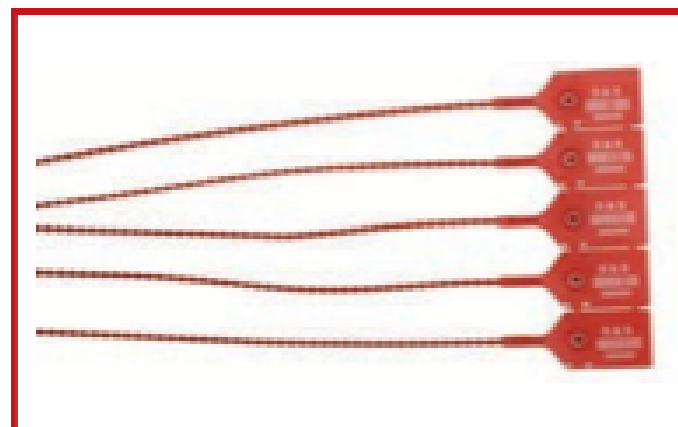
- Logo • Text • Series • Barcode

COLORS

- Blue • White • Yellow • Red • Green

PACKAGING

- 1000 pieces/box
- Dimensions: 360 x 340 x 480 mm
- Weight: 6,4 Kg



Nairobi | Kenya

Mobile: +254 713 782 746 | +40 756 400 900

office@nidoholding.co.ke www.nidoholding.co.ke

BANK SEAL

APPLICATIONS

- Tankers
- Trucks
- Air transport and valuables
- Post and courier
- Wagons

MATERIAL

- Polypropylene
- Metal locking system

FEATURES

- Plastic seal with metal locking system
- Self-locking
- Adjustable locking (wide type)
- Large marking area

MARKINGS

Laser Marking:

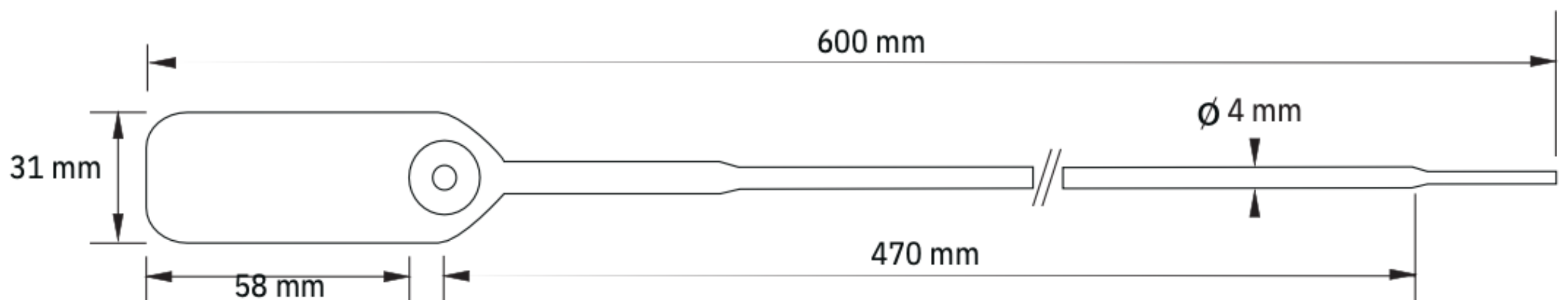
- Logo • Text • Series • Barcode

COLORS

- White

PACKAGING

- 1000 pieces/box
- Dimensions: 680 x 185 x 385 mm
- Weight: 8 kg



BOXSEAL



APPLICATIONS

- Document transport boxes
- Valuables transport boxes
- Post and courier

MATERIAL

- Polypropylene

FEATURES

- Self-locking
- Unsealable by cutting/tearing

MARKINGS

Laser Marking:

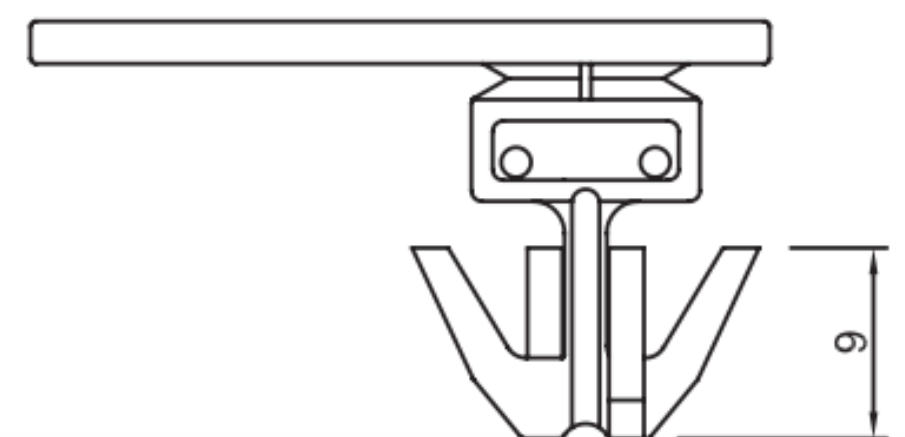
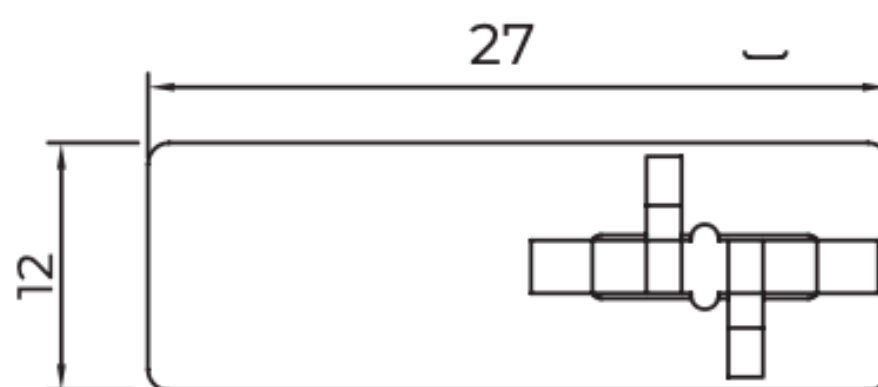
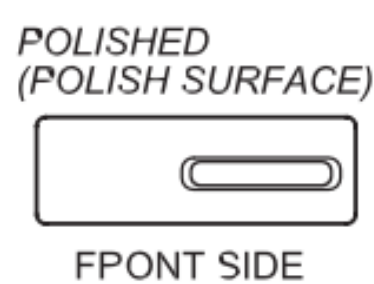
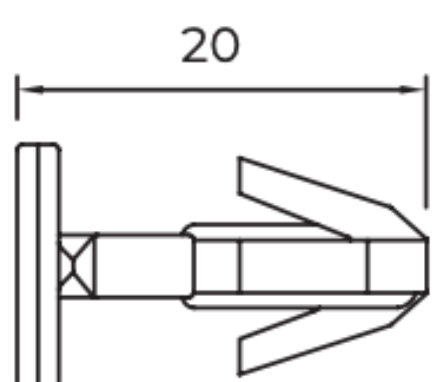
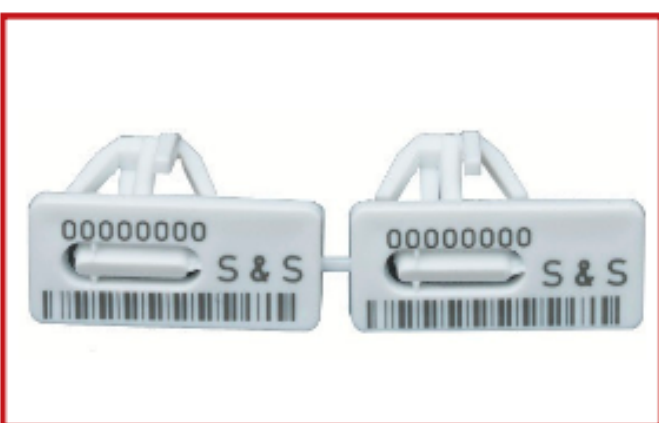
- Logo • Text • Series • Barcode

COLORS

- White
- Other colors upon request

PACKAGING

- 500 pieces/box
- Weight: 0,6 Kg



Nairobi | Kenya

Mobile: +254 713 782 746 | +40 756 400 900

office@nidoholding.co.ke www.nidoholding.co.ke

FIRESEAL



APPLICATIONS

- Fire extinguishers
- Evidence
- Enclosures
- Tanks
- Measuring and control devices
- Recipients
- Utilities
- Medicine

MATERIAL

- Polypropylene
- Acetal locking system

FEATURES

- Code mark
- Self-locking
- Adjustable latch (wide type)

MARKINGS

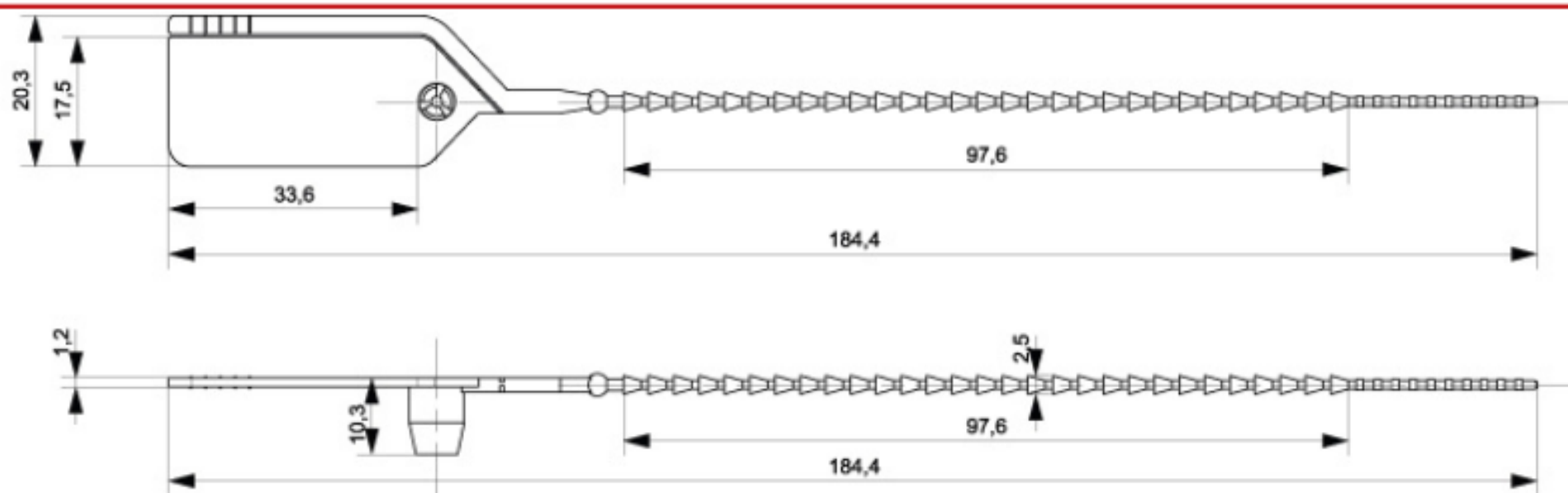
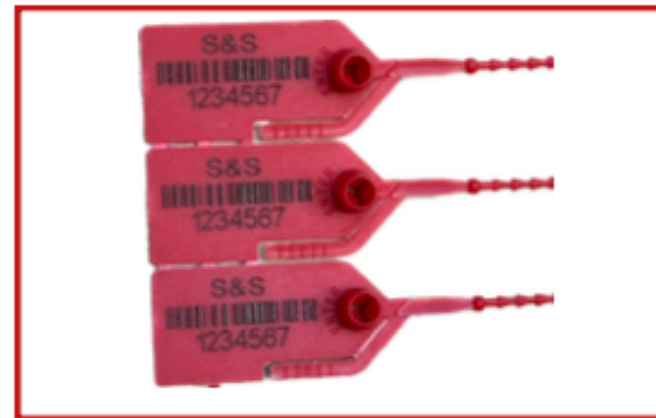
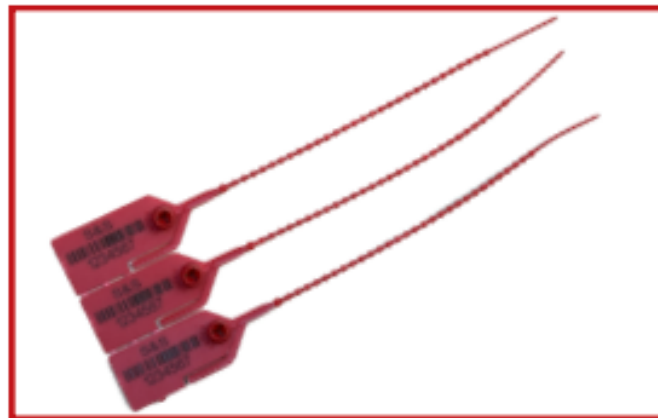
- Laser / Thermal Marking:
- Logo • Text • Series • Barcode

COLORS

- Red • Yellow

PACKAGING

- 1000 pieces/box
- Dimensions: 230 x 280 x 330 mm
- Weight: 1,6 Kg



Nairobi | Kenya

Mobile: +254 713 782 746 | +40 756 400 900
office@nidoholding.co.ke www.nidoholding.co.ke

POLYSEAL



APPLICATIONS

- For security bags with Polyseal or MAXISEAL closure system
- Post and courier
- Transport of valuables

MATERIAL

- Polypropylene

FEATURES

- Self-locking
- Unsealable by cutting/tearing

MARKINGS

Laser Marking:

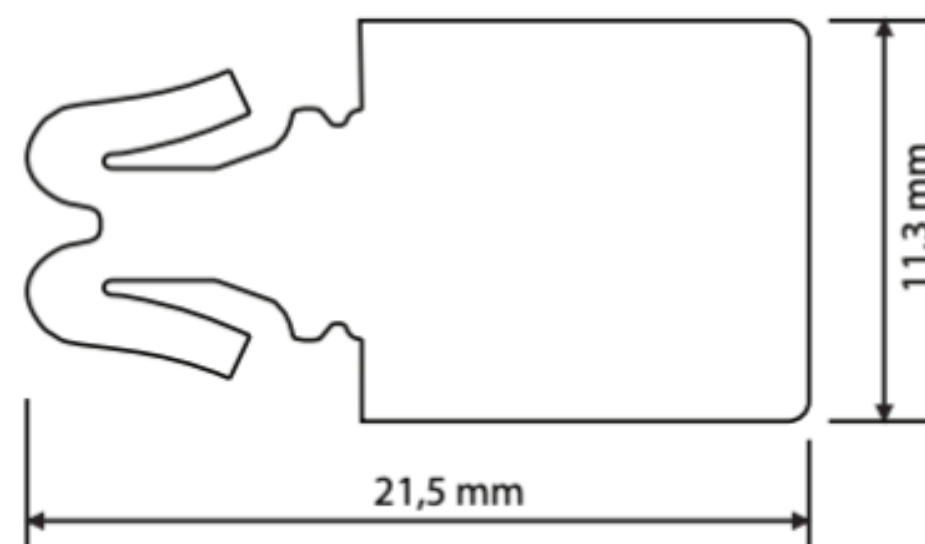
- Logo • Text • Series • Barcode

COLORS

- Blue • White • Yellow • Red

PACKAGING

- 1000 pieces/box
- Dimensions: 230 x 280 x 330 mm
- Weight: 1,8 Kg



Nairobi | Kenya

Mobile: +254 713 782 746 | +40 756 400 900

office@nidoholding.co.ke www.nidoholding.co.ke

POSIGRIP



APPLICATIONS

- Tankers
- Air transport and valuables
- Trucks
- Bags for valuables, mail, courier

MATERIAL

- Polypropylene
- Metal locking system

FEATURES

- Plastic seal with ultrasonically welded metal capped closure system
- Self-locking
- Adjustable closing (wide type)
- Large marking area

MARKINGS

Laser Marking:

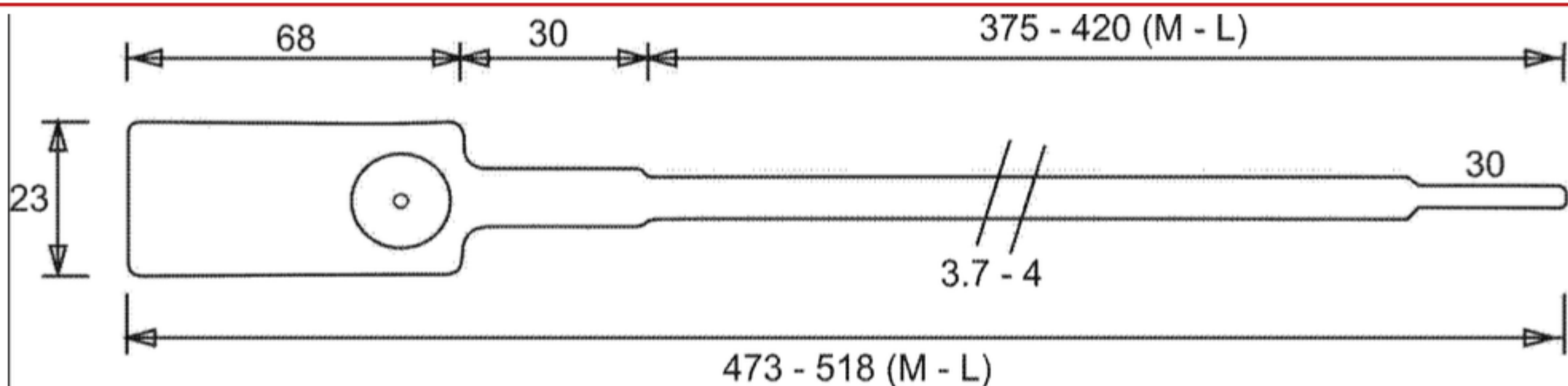
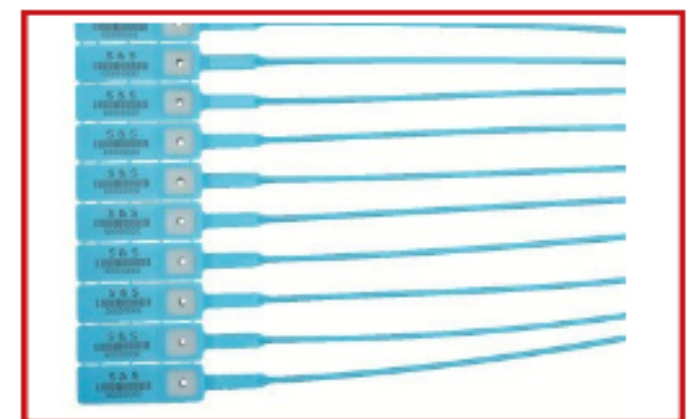
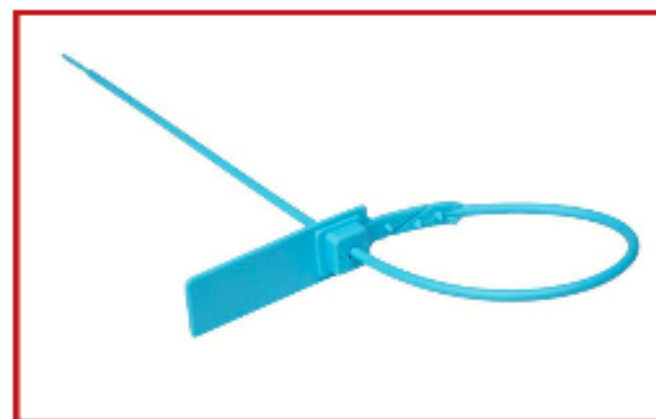
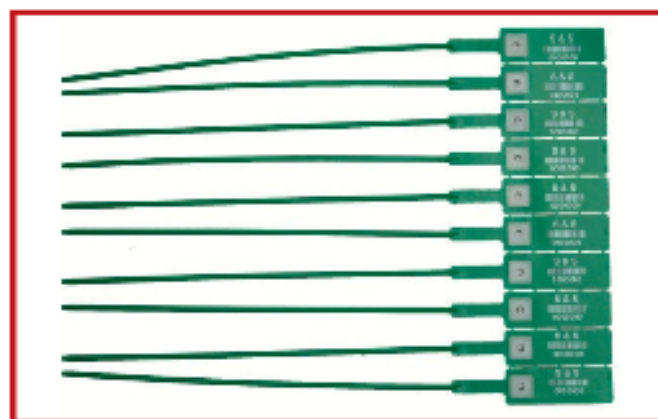
- Logo • Text • Series • Barcode

COLORS

- Blue • White • Yellow • Red • Green • Orange

PACKAGING

- 1000 pieces/box
- **L:** Dimensions: 460x520x230 mm, Weight: 7,2 Kg
- **M:** Dimensions: 240x410x440 mm, Weight: 6,1 Kg



Nairobi | Kenya

Mobile: +254 713 782 746 | +40 756 400 900
office@nidoholding.co.ke www.nidoholding.co.ke

NID 
EXPERIENCE TO BE TRUSTED

POSTSEAL



APPLICATIONS

- Trucks
- Post and courier
- Transport of valuables

MATERIAL

- Polypropylene
- Metal locking system

FEATURES

- Plastic seal with ultrasonically welded encapsulated metal locking system
- Self-locking
- Adjustable locking (wide type)
- Large marking area

MARKINGS

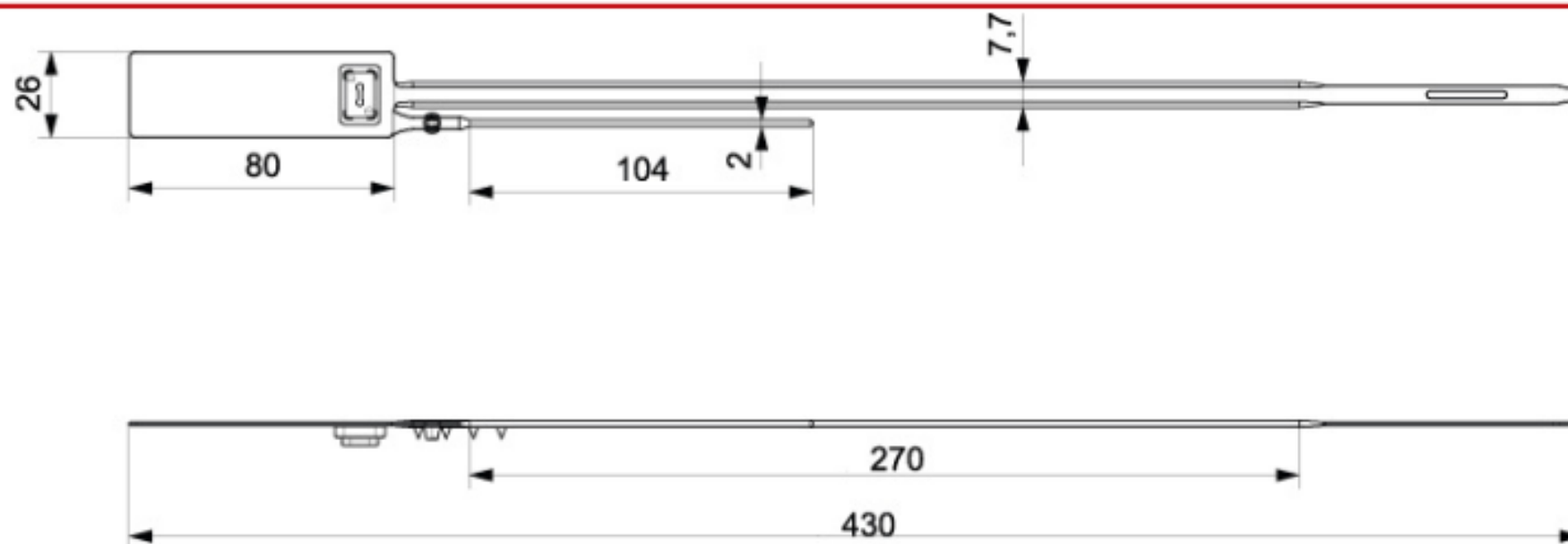
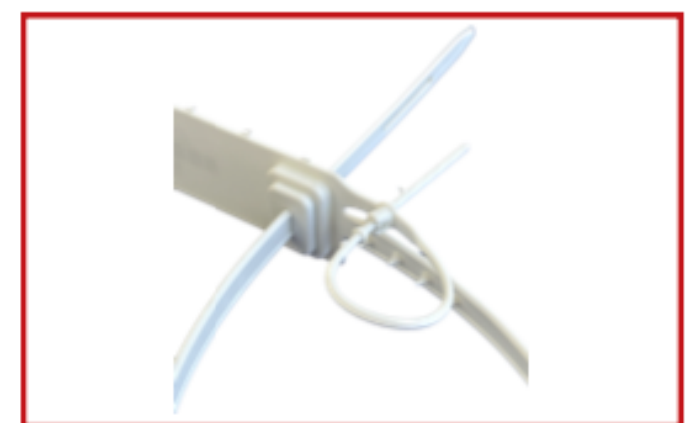
- Laser Marking:
- Logo • Text

COLORS

- Blue • White • Yellow • Red • Green • Purple

PACKAGING

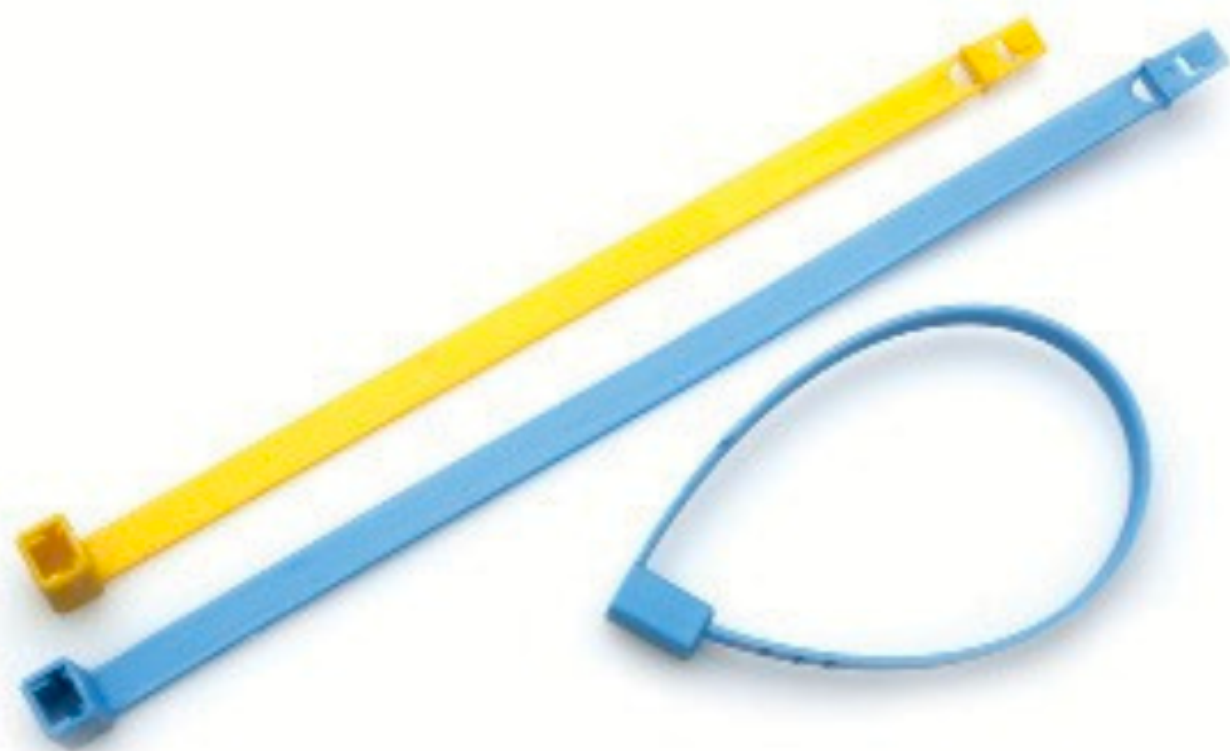
- 1000 pieces/box
- Dimensions: 460 x 520 x 230 mm
- Weight: 7 Kg



Nairobi | Kenya

Mobile: +254 713 782 746 | +40 756 400 900
office@nidoholding.co.ke www.nidoholding.co.ke

RINGSEAL



APPLICATIONS

- Tankers
- Utilities
- Trucks
- Mail and courier

MATERIAL

- Polyethylene HD

FEATURES

- Thickness: 1mm
- Large marking area: 207 x 8 mm
- Narrow linking element - 5 mm - allowing use with car locking systems
- Fixed locking

MARKINGS

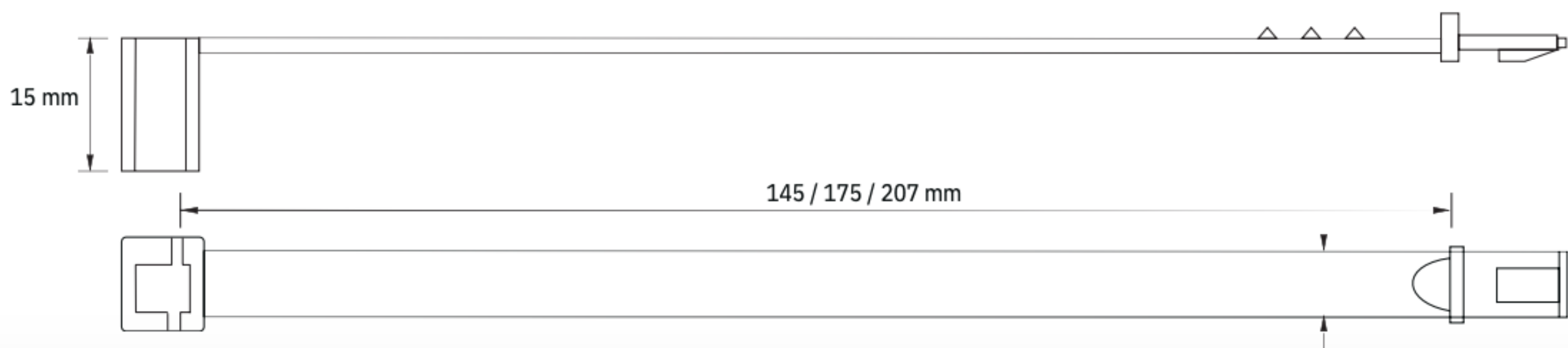
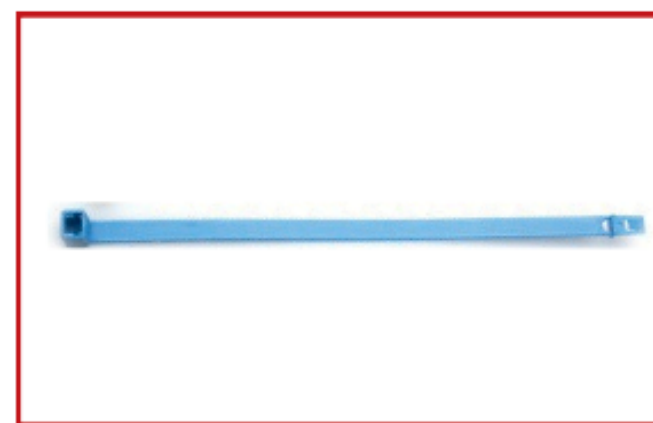
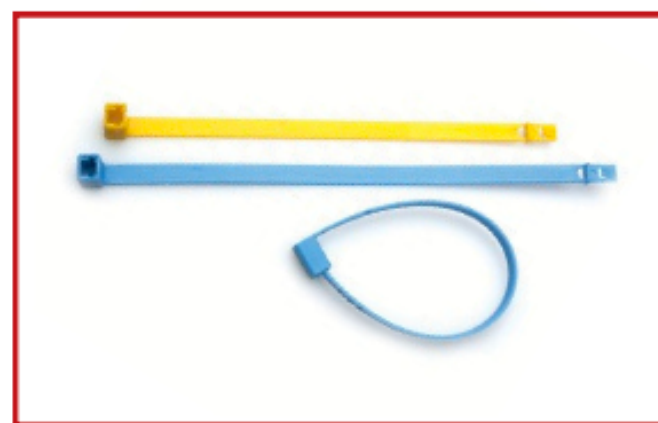
- Text (max 22 characters)
- Series (max 9 digits)
- Bar code

COLORS

- Blue • White • Yellow

PACKAGING

- 1000 pieces/box
- Dimensions: 360 x 490 x 320 mm
- Weight: 2,5 Kg



Nairobi | Kenya

Mobile: +254 713 782 746 | +40 756 400 900
office@nidoholding.co.ke www.nidoholding.co.ke

STINSEAL



APPLICATIONS

- Evidence
- Enclosures
- Tanks
- Vessels
- Utilities
- Medicine
- Measuring devices

MATERIAL

- Polyethylene HD
- Closing system

FEATURES

- Indicative seal
- Operational length: 190 mm
- Self-locking
- Adjustable latch (wide type)
- Unsealable by cutting/breaking

MARKINGS

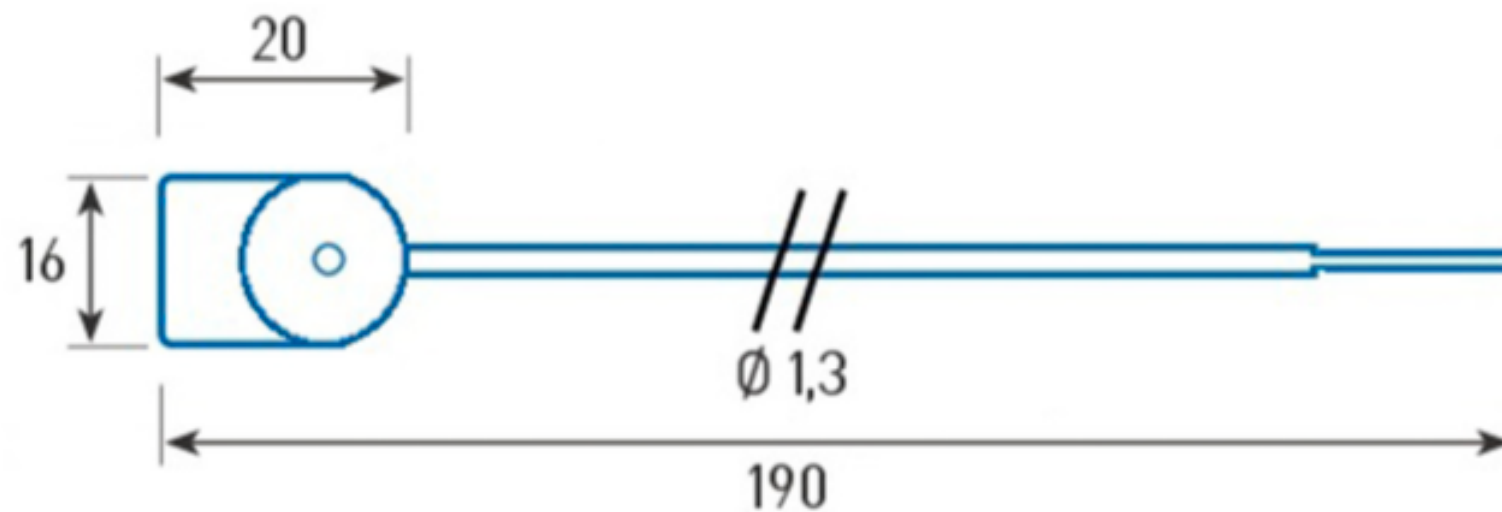
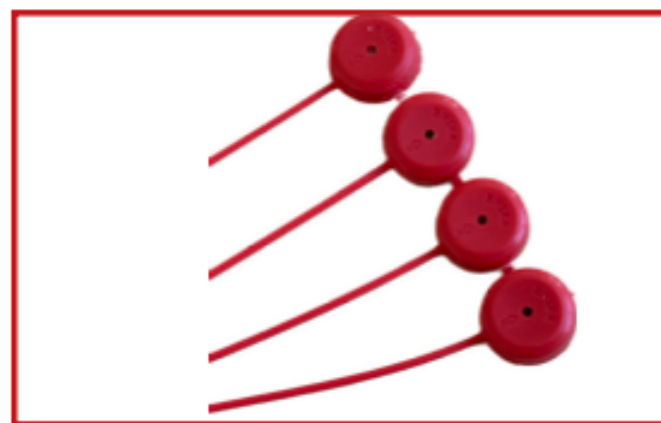
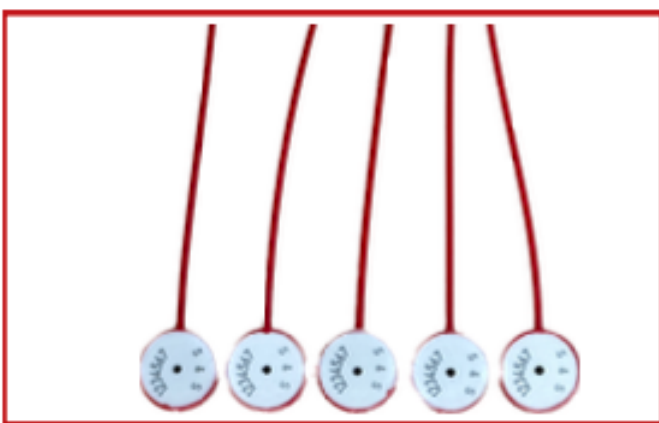
- Text
- Series

COLORS

- Blue
- Red

PACKAGING

- 1000 pieces/box
- Dimensions 360 x 490 x 320 mm
- Weight: 2,5 Kg



All dimensions in mm.

TRUCKSEAL M



APPLICATIONS

- Tankers
- Air transport and valuables
- Trucks
- Bags for transporting valuables, mail, courier

MATERIAL

- Polyethylene HD
- Metal locking system

FEATURES

- Indicative seal
- Self-locking
- Tear/break release
- Adjustable latch (wide type)
- With or without tear line

MARKINGS

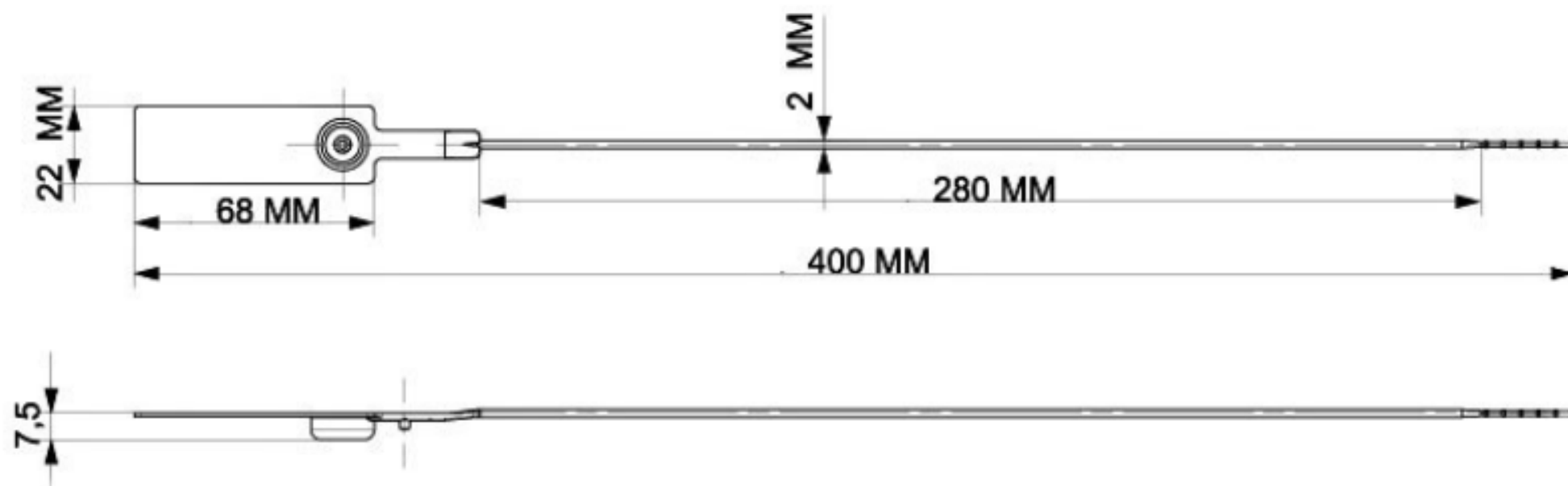
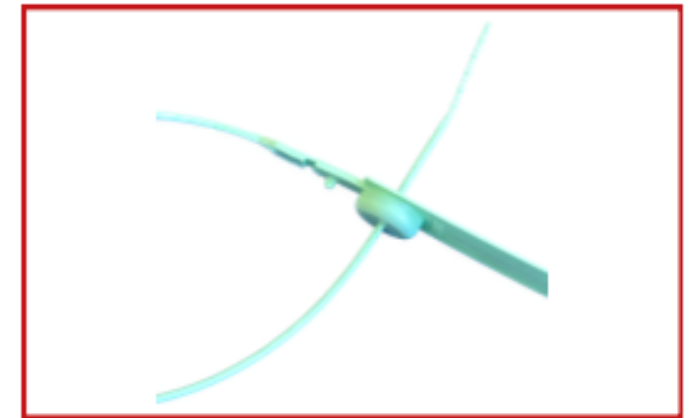
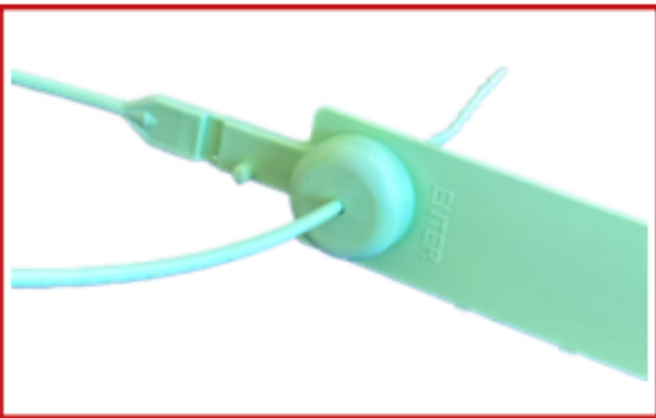
- Text • Logo • Series • Barcode

COLORS

- White • Blue • Yellow • Red
- Green • Purple

PACKAGING

- 1000 pieces/box
- Dimensions: 360 x 490 x 320 mm
- Weight: 2,5 Kg



Nairobi | Kenya

Mobile: +254 713 782 746 | +40 756 400 900
office@nidoholding.co.ke www.nidoholding.co.ke

TRUCKSEAL L

APPLICATIONS

- Tankers
- Air transport and valuables
- Trucks
- Bags for transporting valuables, mail, courier

MATERIAL

- Polyethylene HD
- Metal locking system

FEATURES

- Indicative seal
- Self-locking
- Tear/break release
- Adjustable latch (wide type)

MARKINGS

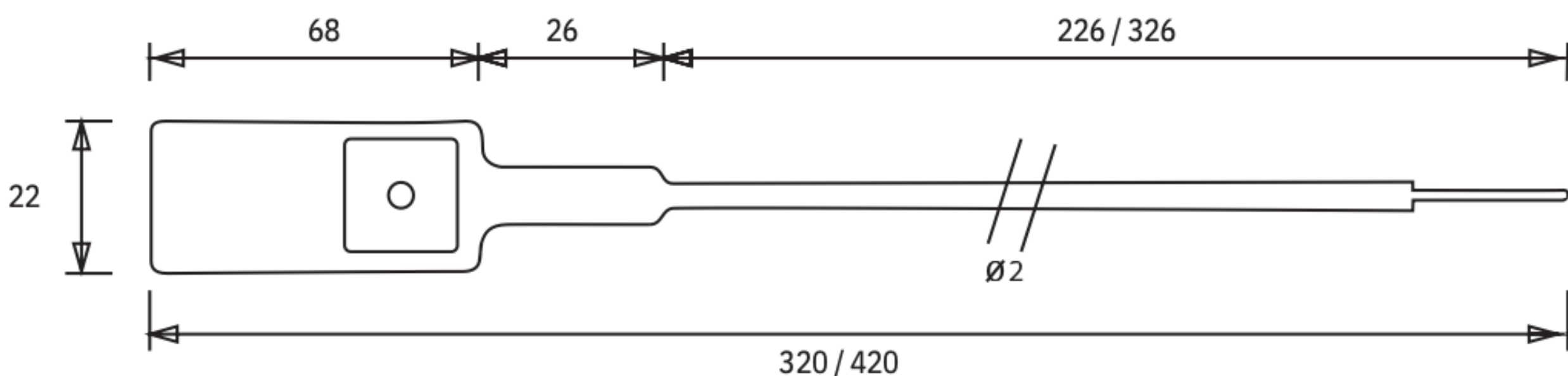
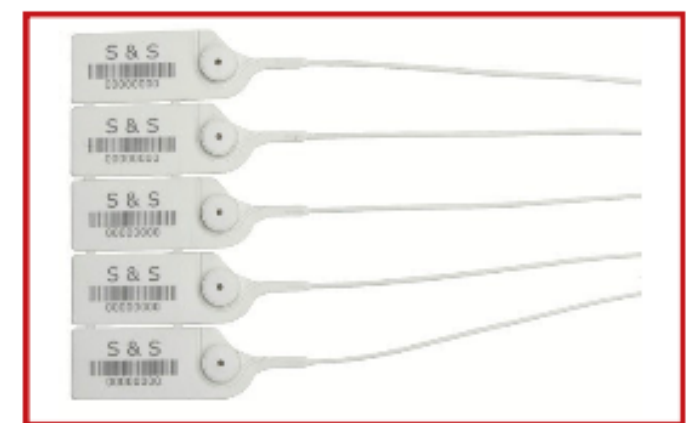
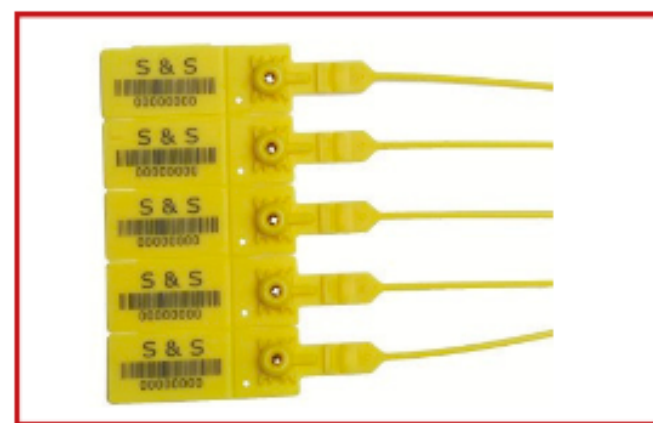
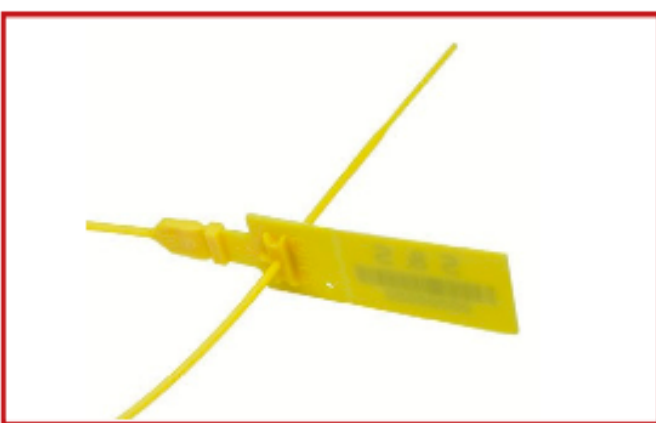
- Text • Logo • Series • Barcode

COLORS

- White • Blue • Yellow

PACKAGING

- 2000 pieces/box
- Dimensions: 435 x 230 x 250 mm
- Weight: 6 Kg



Nairobi | Kenya

Mobile: +254 713 782 746 | +40 756 400 900

office@nidoholding.co.ke www.nidoholding.co.ke

UNICSEAL



APPLICATIONS

- Tankers
- Air and cash transport
- Trucks
- Post and courier

MATERIAL

- Polypropylene

FEATURES

- Plastic indicative seal
- Self-locking
- Large marking area
- Adjustable latch (wide type)

MARKINGS

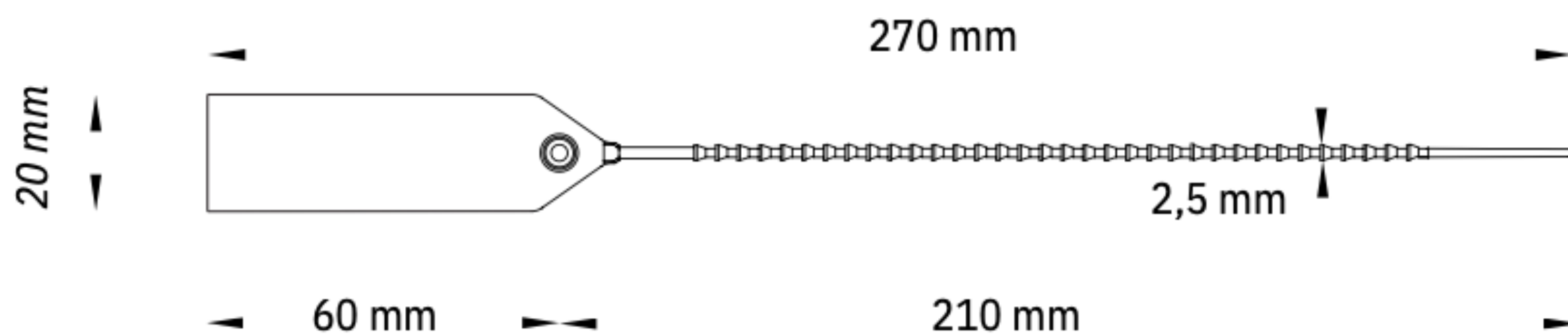
- Text
- Series
- Barcode

COLORS

- White

PACKAGING

- 2000 pieces/box
- Dimensions: 320x245x320 mm
- Weight: 5 Kg



WIDSEAL HL BIO



APPLICATIONS

- Tankers
- Trucks
- Air transport and valuables
- Bags for transporting valuables, mail, courier

MATERIAL

- Polypropylene with biodegradable additive
- Steel closing system

FEATURES

- Indicative seal
- Self-locking
- Elliptical-shaped linking element and locking system for increased security
- Adjustable latch (wide type)
- Unsealable by tearing/cutting
- The seal is BIODEGRADABLE

MARKINGS

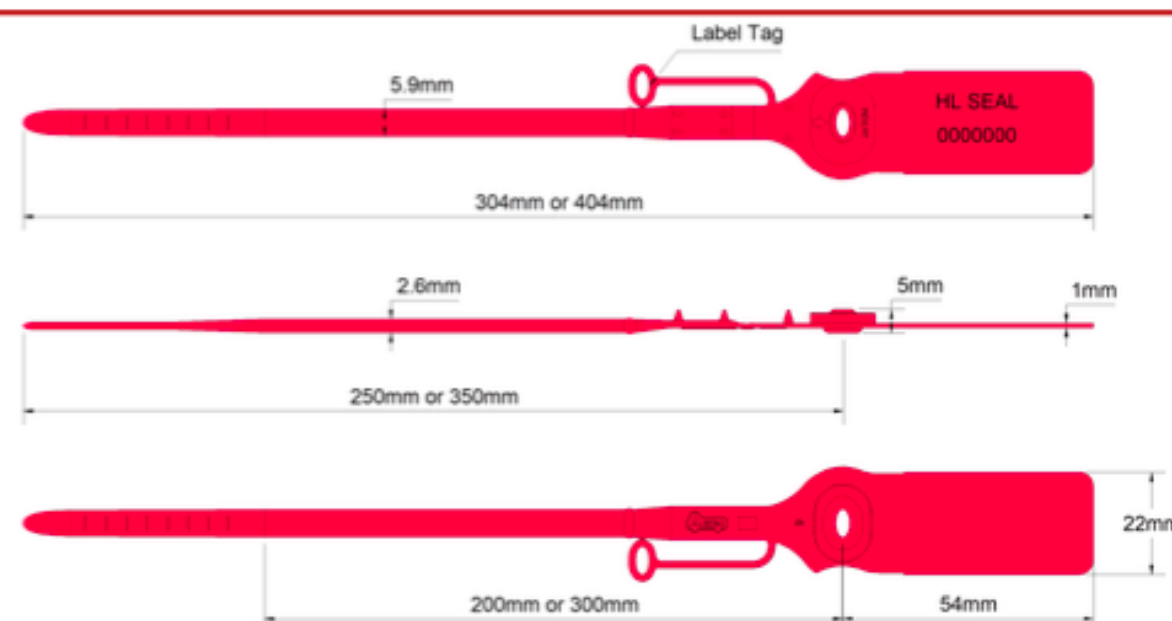
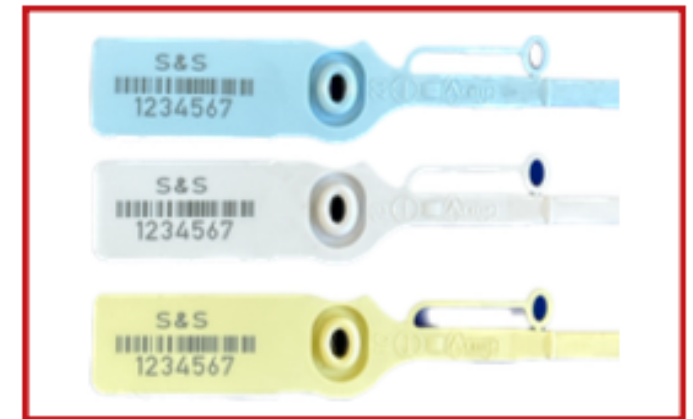
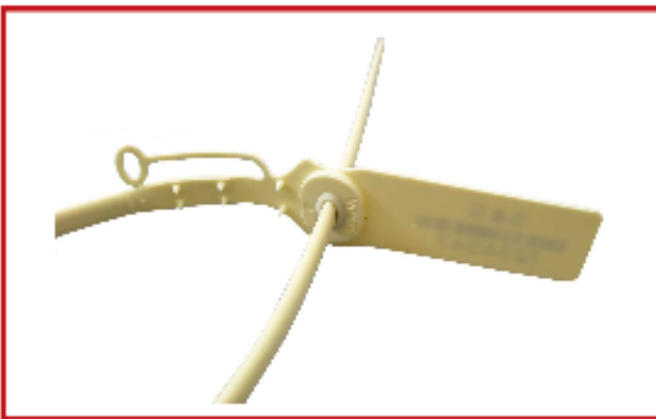
- Logo
- Text
- Series
- Barcode

COLORS

- Blue • White • Yellow

PACKAGING

- 1000 pieces/box
- Dimensions: 435 x 240 x 265 mm
- Weight: 6,1 Kg



WIDSEAL T Recycled



APPLICATIONS

- Tankers
- Trucks
- Air transport and valuables
- Bags for transporting valuables, mail, courier

MATERIAL

- Polypropylene with biodegradable additive
- Steel closing system

FEATURES

- Indicative seal
- Self-locking
- Encapsulated ultrasonic welding locking system
- Adjustable latch (wide type)
- Unsealable by tearing/cutting

MARKINGS

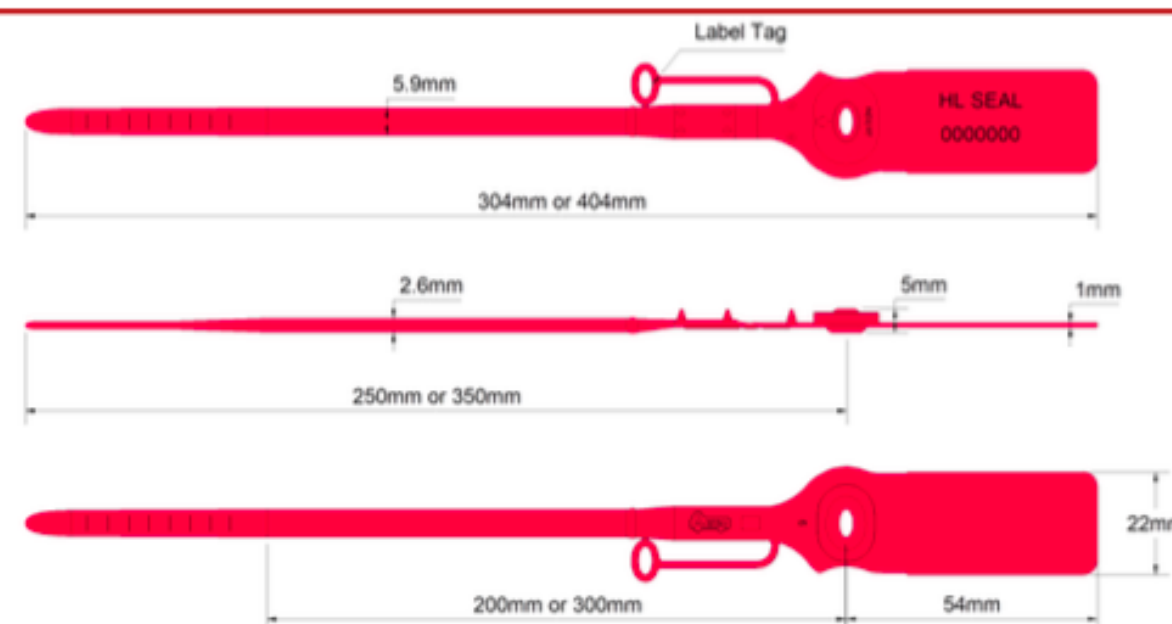
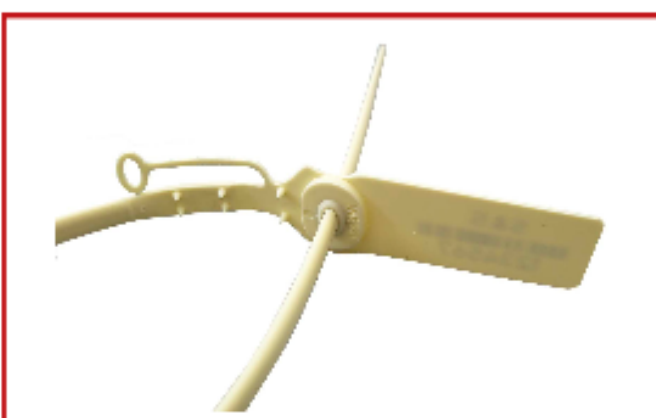
- Logo
- Text
- Series
- Barcode

COLORS

- White • Blue • Yellow • Red • Purple
- Black • Orange

PACKAGING

- 1000 pieces/box
- Dimensions: L1: 360 x 490 x 320 mm
- Weight: 7,6 Kg



WIDSEAL X



APPLICATIONS

- Tankers
- Air transport and valuables
- Trucks
- Bags for valuables, mail, courier

MATERIAL

- Polypropylene HD
- Steel pad closure system and system protection plate

FEATURES

- Code mark
- Self-locking
- Adjustable latch (wide type)
- Encapsulated ultrasonic welding locking system
- Unsealable by cutting/breaking

MARKINGS

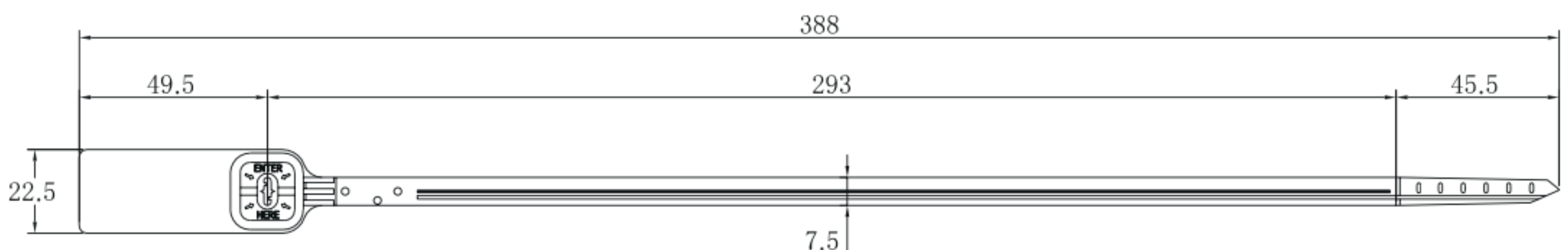
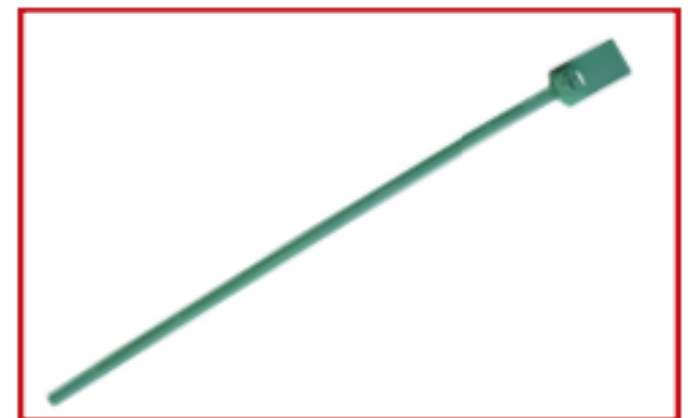
- Logo
- Text
- Series
- Barcode

COLORS

- Blue
- Green
- White
- Green
- Orange
- Yellow

PACKAGING

- 1000 pieces/box
- Dimensions: 450 x 140 x 555 mm
- Weight: 7,1 Kg



Nairobi | Kenya

Mobile: +254 713 782 746 | +40 756 400 900
office@nidoholding.co.ke www.nidoholding.co.ke

NID 
EXPERIENCE TO BE TRUSTED

WIDSEAL DUO



APPLICATIONS

- Mail
- Courier
- Containers
- Air and valuables transport
- Wagons
- Trucks

MATERIAL

- PP
- 2 metal locking systems for increased security

FEATURES

- Security seal
- Self-locking
- Adjustable latch (wide type)
- Cut/break release

MARKINGS

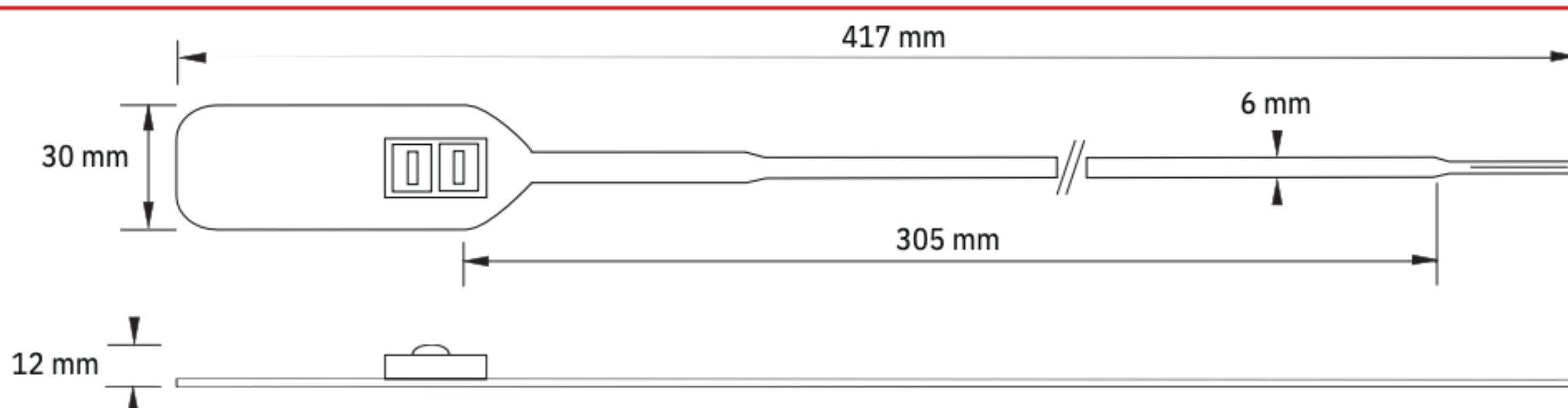
- Logo • Text • Series • Barcode

COLORS

- White
- Yellow
- Other colors available upon request

PACKAGING

- 1000 pieces/box
- Dimensions: 415 x 260 x 450 mm
- Weight: 11 Kg



Nairobi | Kenya

Mobile: +254 713 782 746 | +40 756 400 900
office@nidoholding.co.ke www.nidoholding.co.ke

WIDSEAL TR



APPLICATIONS

- Tankers
- Air transport and valuables
- Trucks
- Valuables, mail and courier bags

MATERIAL

- Polypropylene HD
- Steel pill locking system

FEATURES

- Indicative seal
- Self-locking
- Adjustable latch (wide type)
- Encapsulated ultrasonic welding locking system
- Unsealable by cutting/breaking

MARKINGS

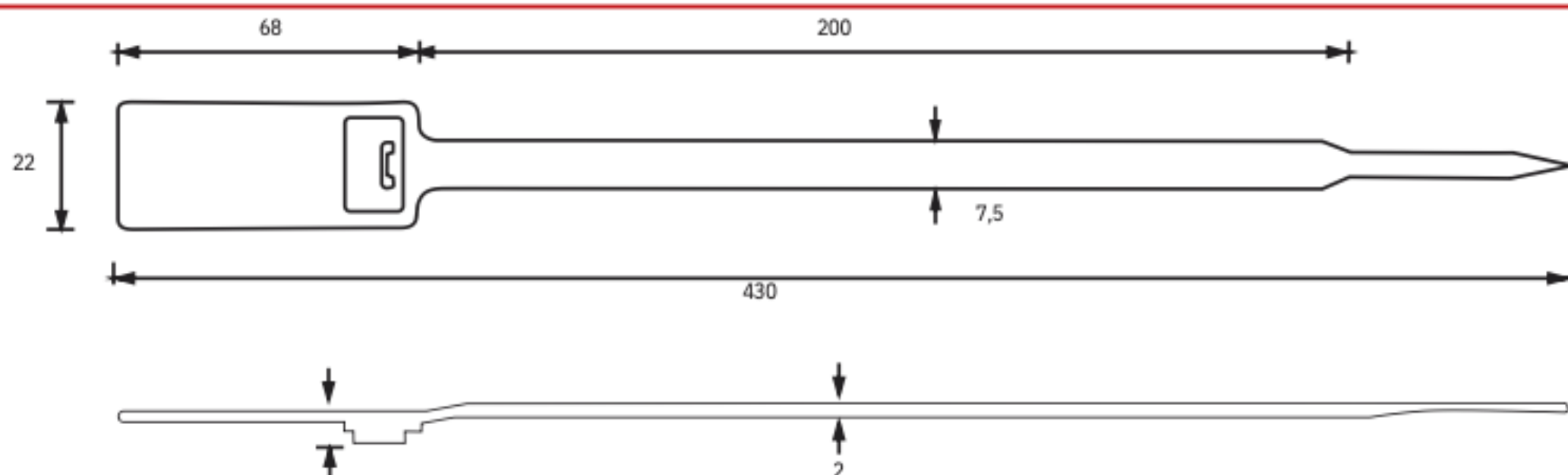
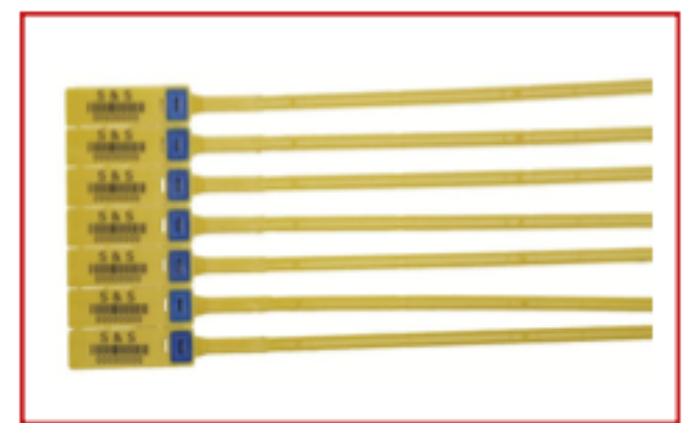
- Text • Series • Logo • Barcode

COLORS

- Blue • White • Yellow • Red
- Green • Orange

PACKAGING

- 1000 pieces/box
- Dimensions: 260 x 440 x 440 mm
- Weight: 6,6 Kg



Nairobi | Kenya

Mobile: +254 713 782 746 | +40 756 400 900
office@nidoholding.co.ke www.nidoholding.co.ke

X-SEAL



APPLICATIONS

- Aviation containers
- Medical devices
- Cash terminal boxes
- Aviation cathering
- Airline baggage

MATERIAL

- Polypropylene with biodegradable additive
- Steel closing system

FEATURES

- Self-locking indicative seal
- Adjustable latch (wide type)
- Short label A: 30 mm ; Long label B: 50 mm
- Operational length: L1: 200 mm; L2: 300 mm
- Total length A: L1: 230 mm; L2: 330 mm
- Total length B: L1: 250 mm; L2: 350 mm

MARKINGS

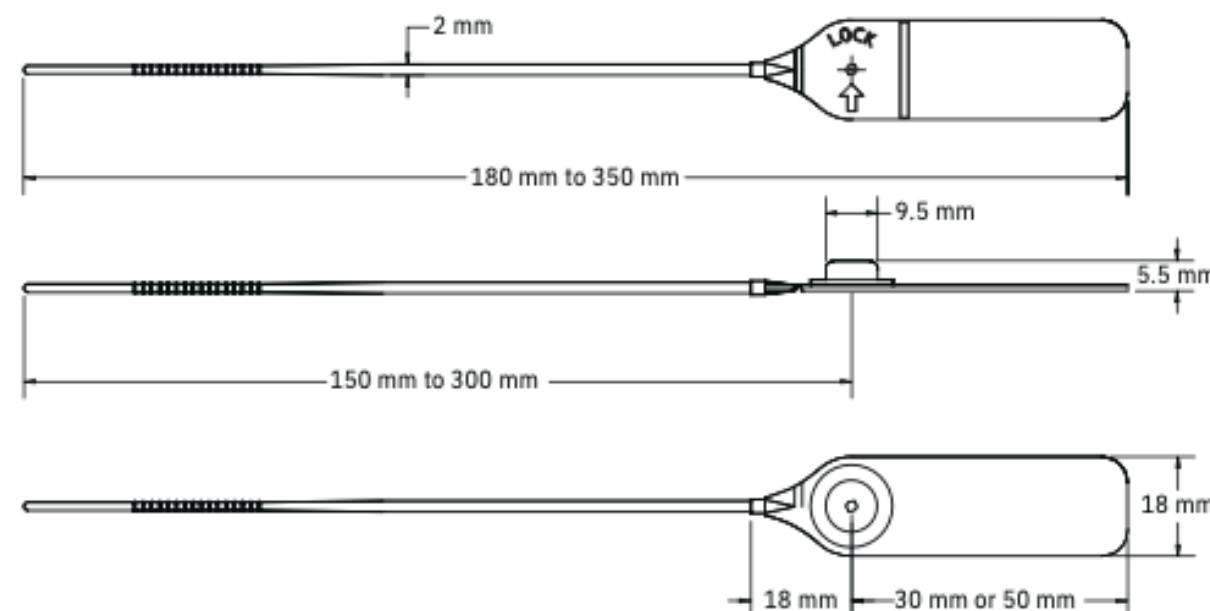
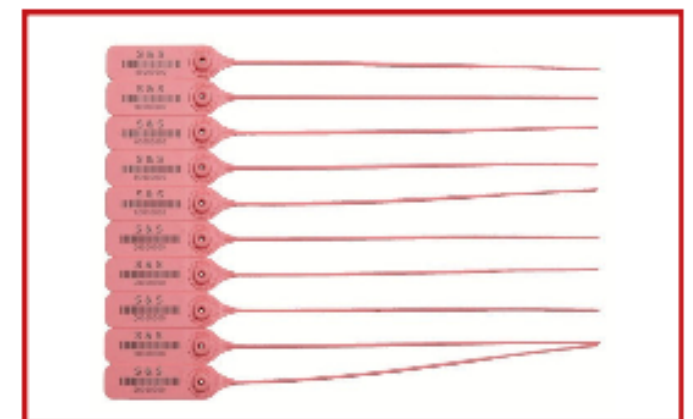
- Logo • Text • Series • Barcode

COLORS

- Blue • White • Yellow • Red • Green
- Pink • Orange

PACKAGING

- 1000 pieces/box
- Weight: LT20 - 1,8 Kg; LT30 - 2,2 Kg



Nairobi | Kenya

Mobile: +254 713 782 746 | +40 756 400 900
office@nidoholding.co.ke www.nidoholding.co.ke



MULTIPURPOSE SECURITY SEALS

ANTILOCK



APPLICATIONS

- Securing existing connections to measuring and control devices (water meters, electric gas meters, ...)

MATERIAL

- Polycarbonate

FEATURES

- Dimensions:
 - 81 mm (3 1/5")
 - 58 mm (2 2/7")
 - 43 mm (1 2/3")
- Other dimensions available upon request
- Connector can be secured with MeterSeal seals for maximum security

MARKINGS

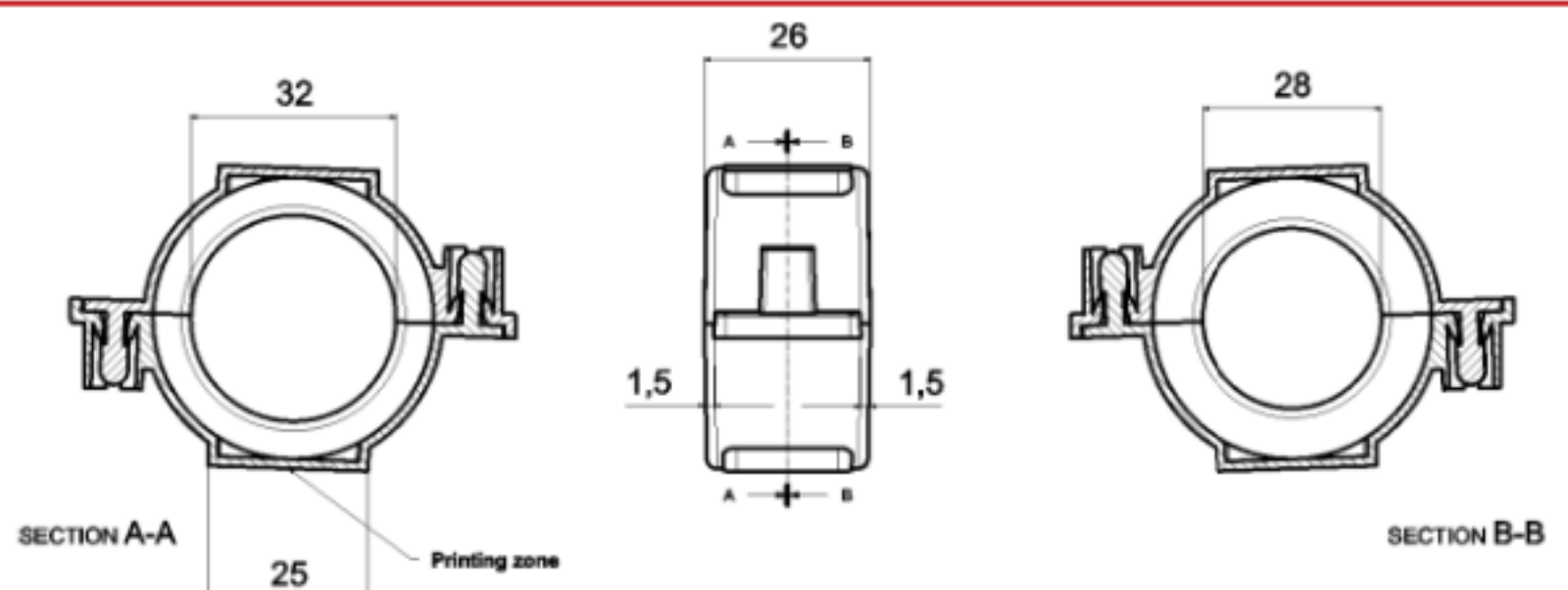
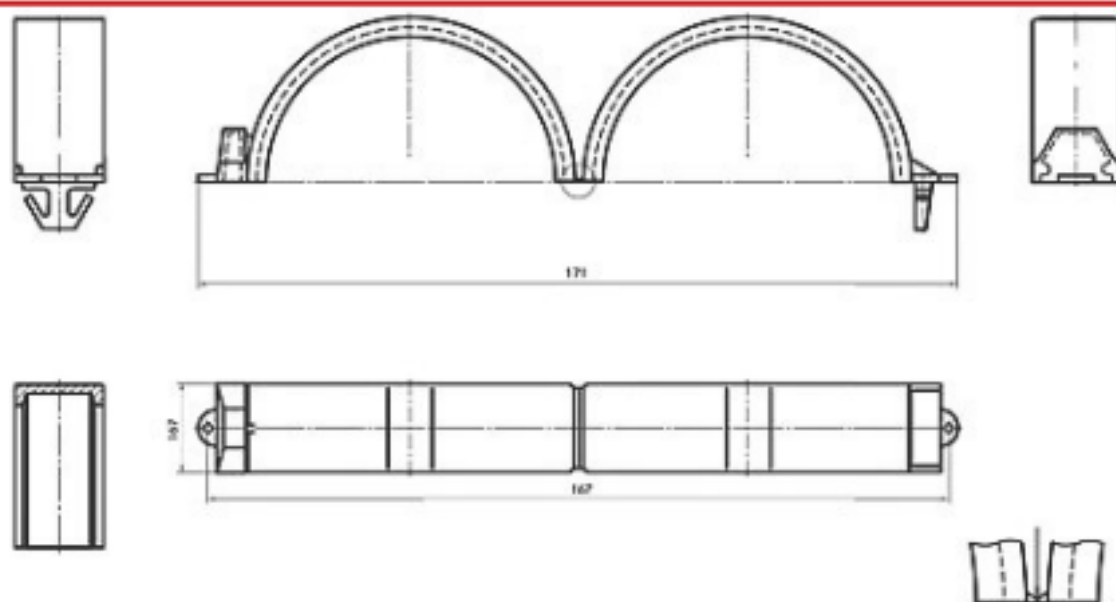
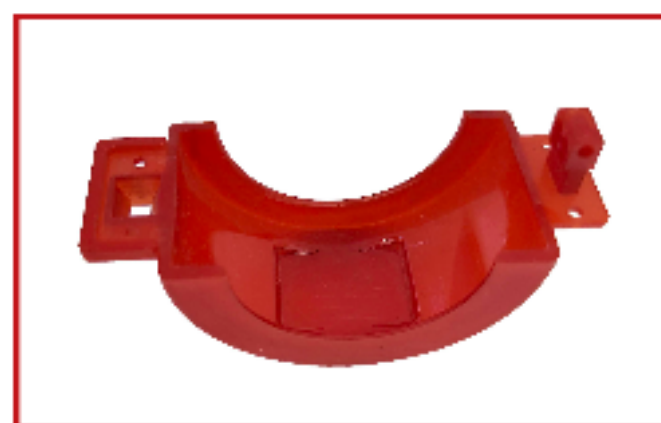
- No marking possibility

COLORS

- White • Red • Orange

PACKAGING

- 81 mm - 400 x 600 x 400 mm; 300 pcs/box
- 58 mm - 400 x 600 x 400 mm; 600 pcs/box
- 43 mm - 400 x 600 x 400mm; 1000 pcs/box



Nairobi | Kenya

Mobile: +254 713 782 746 | +40 756 400 900

office@nidoholding.co.ke www.nidoholding.co.ke

METERSEAL MD



APPLICATIONS

- Containers
- Post and courier
- Control devices
- Tankers
- Wagons
- Trucks

MATERIAL

- Polycarbonate body (transparent body, colored rotor)
- Steel

FEATURES

- Cable: 0,8 mm soft galvanized; 0,7 mm laminated steel
- Standard length 300 mm
- Other dimensions available upon request

MARKINGS

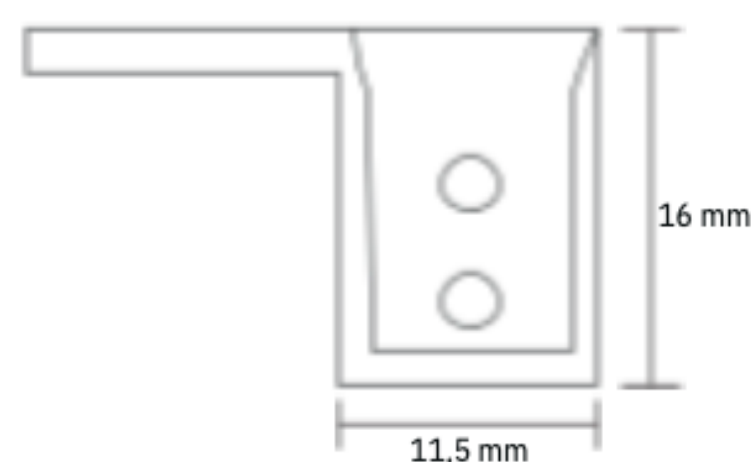
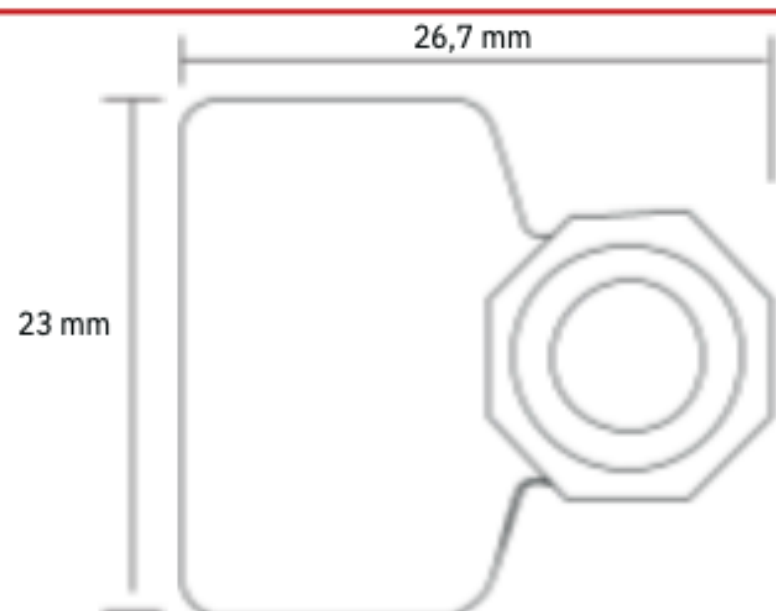
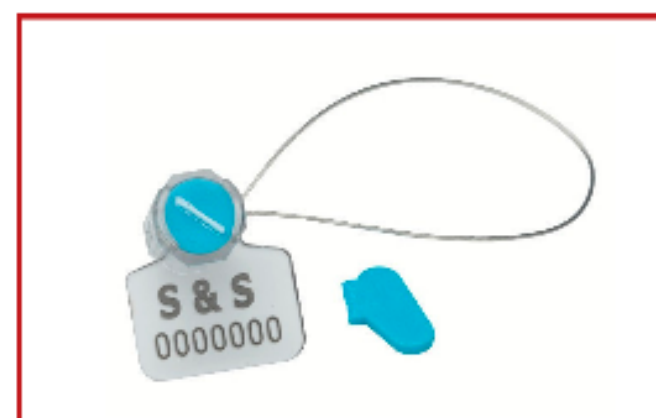
- Series
- Text

COLORS

- Blue • Yellow • Red • Green

PACKAGING

- 1000 pieces/ box
- Dimensions: 400 x 200 x 150 mm
- Weight: 5,2 Kg



Nairobi | Kenya

Mobile: +254 713 782 746 | +40 756 400 900
office@nidoholding.co.ke www.nidoholding.co.ke

PLOMBEX

APPLICATIONS

- Evidence
- Trucks
- Shipping
- Enclosures
- Wagons
- Measuring and control equipment

MATERIAL

- PP

FEATURES

- Used with wire or rope on request
- Diameter 10 mm

MARKINGS

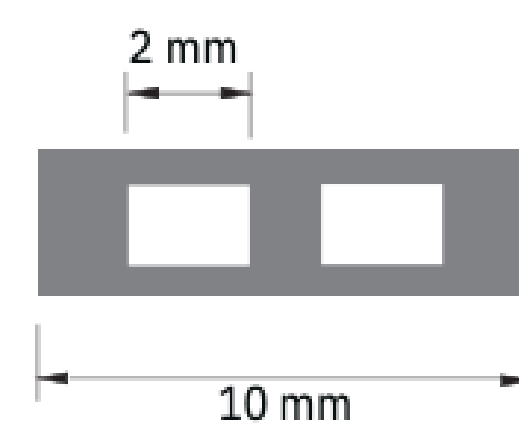
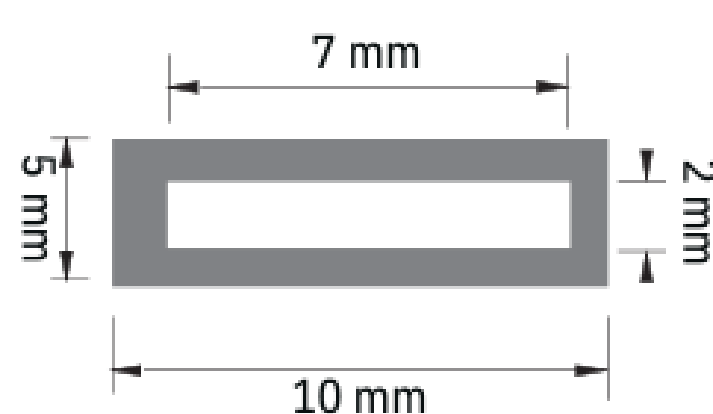
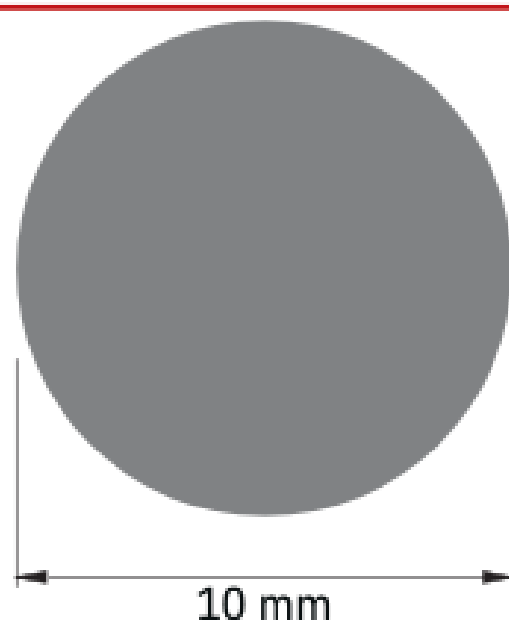
- No marking possibility

COLORS

- Blue • White • Yellow • Grey
- Red • Green • Orange

PACKAGING

- 1000 pieces/bag
- Weight: 300 gr



Nairobi | Kenya

Mobile: +254 713 782 746 | +40 756 400 900
office@nidoholding.co.ke www.nidoholding.co.ke

SAFELOCK



APPLICATIONS

- Containers
- Wagons
- Post and courier
- Trucks
- Tankers
- Measuring and control devices

MATERIAL

- Polycarbonate body (transparent body and colored rotor)
- Steel

FEATURES

- High-security seal
- Engraved and numbered
- Cable: 0,8 mm galvanized soft; 0,7 mm laminated steel, 0,65mm steel
- Standard length 300 mm - other dimensions available upon request
- Large marking space, with additional blocking plaque

MARKINGS

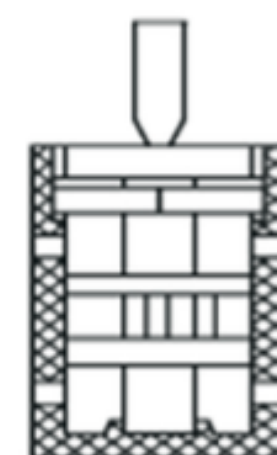
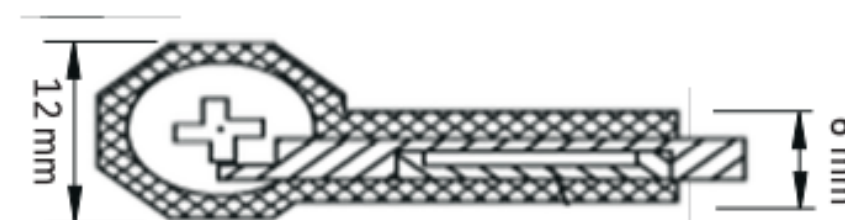
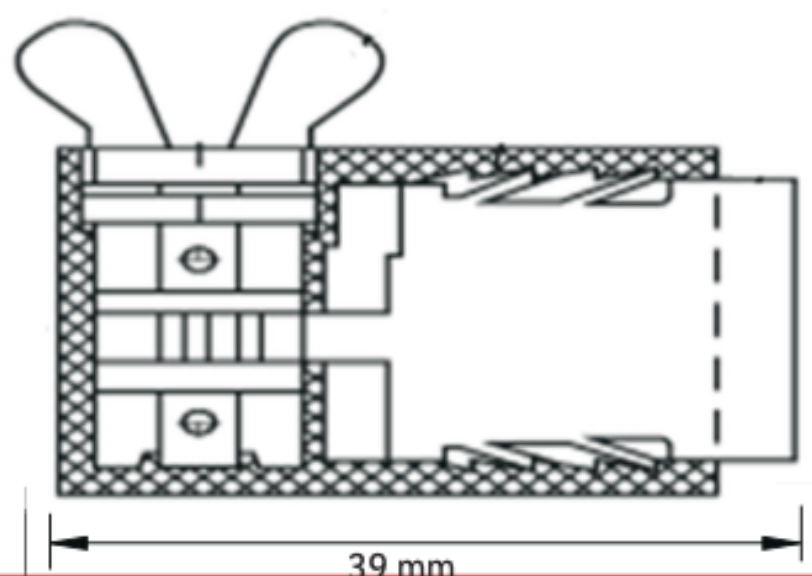
- Series
- Logo
- Barcode (optional)

COLORS

- Blue
- White
- Yellow
- Red
- Green
- Orange

PACKAGING

- 1000 pieces/box
- Dimensions: 400 x 200 x 150 mm
- Weight: 5,2 Kg



Nairobi | Kenya

Mobile: +254 713 782 746 | +40 756 400 900
office@nidoholding.co.ke www.nidoholding.co.ke

NID 
EXPERIENCE TO BE TRUSTED

SAFELOCK N



APPLICATIONS

- Containers and trucks
- Post and courier
- Measuring and controlling devices
- Wagons
- Vessels

MATERIAL

- Polycarbonate body (transparent body and colored rotor)
- Steel

FEATURES

- Engraved and numbered
- Cable: 0,8mm - soft galvanise, 0,7mm laminated steel, 0,65mm steel
- 500 mm standard length - other lengths available upon request
- Wide marking space, with additional blocking plaque

MARKINGS

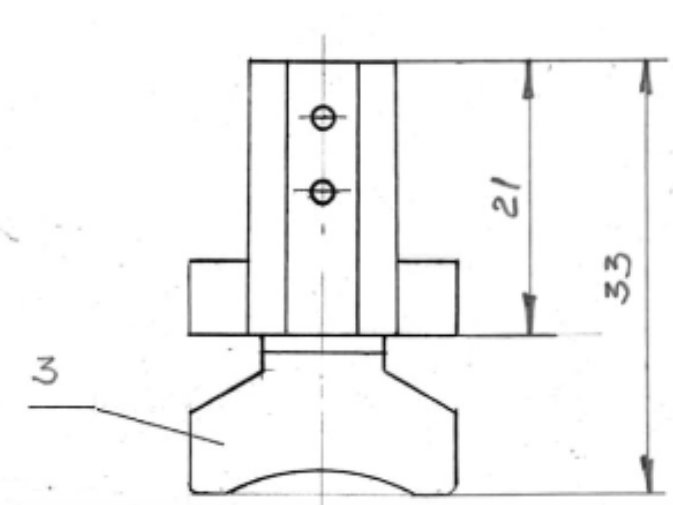
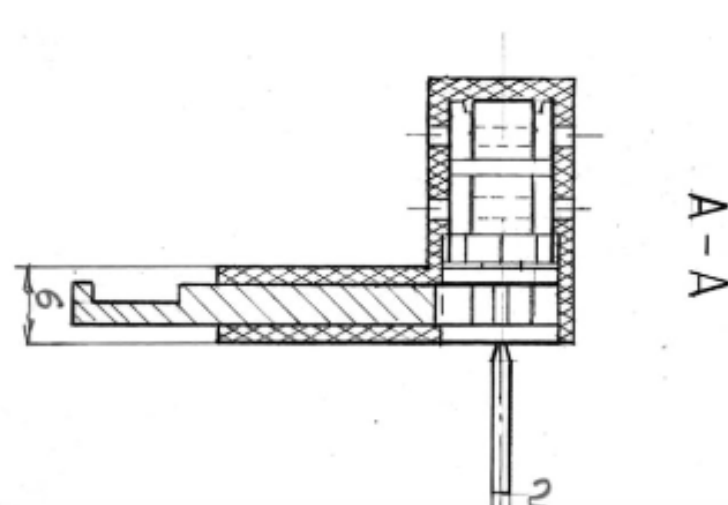
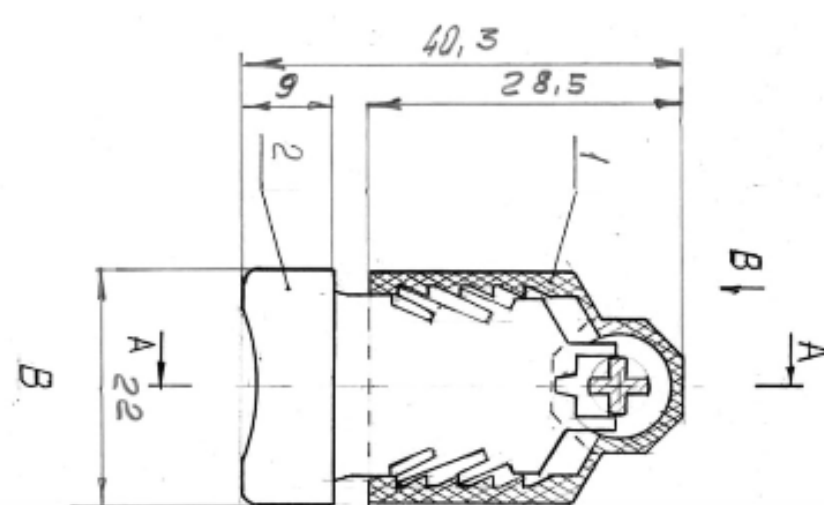
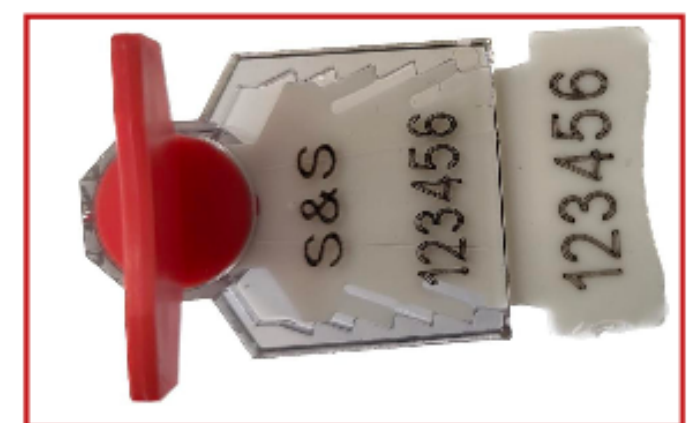
- Series
- Logo
- Barcode (optional)

COLORS

- Blue • White • Yellow • Red • Green • Orange

PACKAGING

- 1000 pieces/box
- Dimensions: 400x200x150 mm



Nairobi | Kenya

Mobile: +254 713 782 746 | +40 756 400 900

office@nidoholding.co.ke www.nidoholding.co.ke

TAHOSEAL



APPLICATIONS

- Trucks Tachograph meters
- Railways wagons
- Trucks and Cargo
- Meters and control devices
- Speed Limiters

MATERIAL

- ABS body (opaque body and colored rotor)
- Laminated steel cable

FEATURES

- EN 16882 Agreement
- Cable: 0,8 mm laminated steel
- Standard length 400 mm - other dimensions available upon request

MARKINGS

Laser Marking:

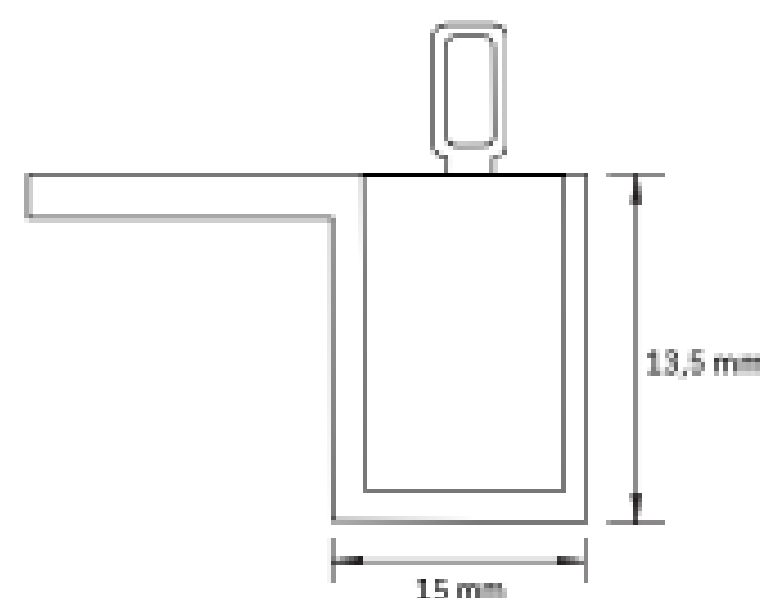
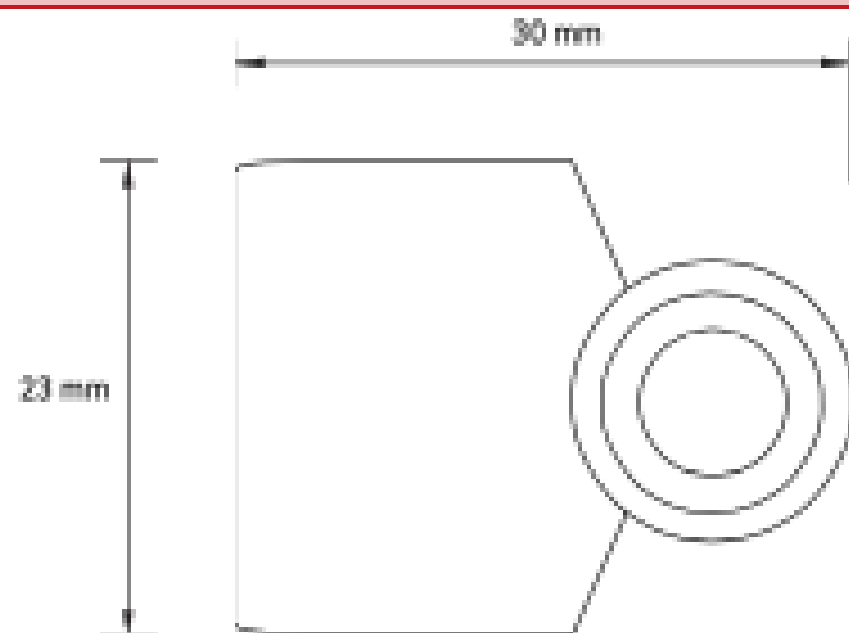
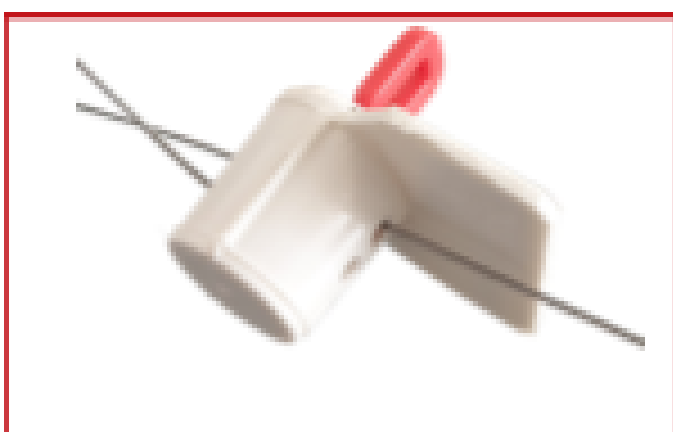
- Unique serial number • Data matrix barcode
- Service code available upon request

COLORS

- White body
- Colored rotor: Red; Green; Blue

PACKAGING

- 100 pieces/box
- Weight: 0,8 Kg



Nairobi | Kenya

Mobile: +254 713 782 746 | +40 756 400 900

office@nidoholding.co.ke www.nidoholding.co.ke



**SECURE LABELS,
ENVELOPES,
AND BANKING
SECURITY
SOLUTIONS**

COURIER ENVELOPES

PE



APPLICATIONS

- Parcels
- Confidential documents

MATERIAL

- PE LD recycled film
- Silicone adhesive

FEATURES

- Logo
- Removable containers
- Thickness, Pouch AWB: on request
- Sizes: on request

MARKINGS

- Stock, series
- Customization on request

COLORS

- Transparent
- Opaque

PACKAGING

- 500/1000 pieces/box
- Weight: 3,5 - 10 Kg



Nairobi | Kenya

Mobile: +254 713 782 746 | +40 756 400 900
office@nidoholding.co.ke www.nidoholding.co.ke

PSS HIGH RESIDUE LABEL



APPLICATIONS

- Governmental institutions, evidence
- Laptops and computers
- ATM/terminal boxes
- Aircraft
- Control panels
- Mail and courier

MATERIAL

- PVC
- Chemical security adhesive with fraud/unauthorized opening message

FEATURES

- The easiest and most effective seals to secure boxes, packages, computers, measuring and control instruments, etc.
- Designed and manufactured to prevent and highlight any tampering attempts, these "seals" will show a clear "OPENED" message on the labels if removed. Various sizes on request

MARKINGS

- Warning text • Barcode • Logo • Color

COLORS

- Blue • White • Yellow • Grey
- Red • Green • Orange • Black

PACKAGING

- 1000 pieces / roll
- Weight: 200gr



Nairobi | Kenya

Mobile: +254 713 782 746 | +40 756 400 900
office@nidoholding.co.ke www.nidoholding.co.ke

PSS NO RESIDUE LABEL



APPLICATIONS

- Governmental institutions, evidence
- Laptops and computers
- ATM/terminal boxes
- Aircraft
- Control panels
- Mail and courier

MATERIAL

- PVC
- Chemical security adhesive with fraud/unauthorized opening message

FEATURES

- The easiest and most effective seals to secure boxes, packages, computers, measuring and control instruments, etc.
- Designed and manufactured to prevent and highlight any tampering attempts, these "seals" will show a clear "OPENED" message on the labels if removed.
- Various sizes on request

MARKINGS

- Warning text • Barcode • Logo • Color

COLORS

- Blue • White • Yellow • Grey
- Red • Green • Orange • Black

PACKAGING

- 1000 pieces / roll
- Weight: 200gr



Nairobi | Kenya

Mobile: +254 713 782 746 | +40 756 400 900
office@nidoholding.co.ke www.nidoholding.co.ke

SECURE TRANSPORT BAG FOR ATM



APPLICATIONS

- Transportul casetelor ATM

MATERIAL

- Flame retardant cotton
- Density: 400-470 g/m²
- The bottom of the bag is plated with hard aluminum 5mm
- 4 rotating wheels with bearing
- Metal collars for impact protection
- 2 rows of 10 mm metal eyelets for sealing
- Transport handles
- Sponge or PP foil, 3-5mm thick applied inside the bag to protect the sides and bottom boxes
- Other sizes or without wheels option can be made on request

FEATURES

- Dimensions: L 100 x l 75 cm
- Transport bag for bank terminal boxes with sponge for protection and wheels for easy and effortless handling

MARKINGS

- Upon request: videoflex/laser:
 - Logo
 - Text

COLORS

- Black
- Brown
- Navy blue

PACKAGING

- Shipment/piece
- Weight: 4,5 Kg



Nairobi | Kenya

Mobile: +254 713 782 746 | +40 756 400 900

office@nidoholding.co.ke www.nidoholding.co.ke

SECURITY BAGS ENVELOPES



APPLICATIONS

- Transport of valuables
- Samples
- Confidential documents

MATERIAL

- PE LD recycled film
- Chemical security adhesive message fraud/opened

FEATURES

- Confirmation with series
- Removable receptacles
- Thickness: 55mm
- Transparent, inscription area
- Size: upon request

MARKINGS

- Stock, series
- Customization on request

COLORS

- Transparent

PACKAGING

- 500 pieces/box
- Weight: 6 Kg



Nairobi | Kenya

Mobile: +254 713 782 746 | +40 756 400 900

office@nidoholding.co.ke www.nidoholding.co.ke

SECURITY ENVELOPES VALUES TRANSPORT PE



APPLICATIONS

- Transport of valuables
- Samples
- Confidential documents

MATERIAL

- PE LD recycled film
- Chemical security adhesive message fraud/openers

FEATURES

- Confirmation with series
- Removable receptacles
- Thickness: on request
- Opaque, transparent, inscription area
- Size: on request

MARKINGS

- Stock, series
- Customisation on request: logo, name, unique series and dual barcode

COLORS

- Transparent
- Opaque

PACKAGING

- 500/1000 pieces/box
- Weight: 3,5 - 10 Kg

Nairobi | Kenya

Mobile: +254 713 782 746 | +40 756 400 900

office@nidoholding.co.ke www.nidoholding.co.ke

NID 

EXPERIENCE TO BE TRUSTED



EXPERIENCE TO BE TRUSTED

**YOUR TRUSTED SOURCE
FOR HIGH-QUALITY SECURITY SOLUTIONS,**

NIDO HOLDING LIMITED

Mobile: +254 713 782 746 | +40 756 400 900

office@nidoholding.co.ke

Nairobi | Kenya

www.nidoholding.co.ke

